



# THE DATASHEET OF FCC20202AATP



# Specification

Title: CHIP FUSE; RECTANGULAR TYPE

Style: FCC10,16,20,32, FHC10,16,20,32

RoHS COMPLIANCE ITEM

Halogen and Antimony Free

Product specification contained in this specification  
are subject to change at any time without notice  
If you have any questions or a Purchasing Specification for any quality  
Agreement is necessary, please contact our sales staff.



**釜屋電機株式會社**  
**KAMAYA ELECTRIC CO., LTD.**

Hokkaido Research Center  
Approval by: T. Sannomiya  
Drawing by: M. Shibuya

Note: Stock conditions

Temperature: +5°C ~ +35°C

Relative humidity: 25% ~ 75%

The period of guarantee: Within 2 year from shipment by the company.

Solderability shall be satisfied.

## 1. Scope

1.1 This specification covers the detail requirements for chip fuses; rectangular type, style of FCC10,16,20,32, FHC10,16,20,32.

## 1.2 Applicable documents

- UL248-1-2000 Low-Voltage Fuses-Part1: General Requirements
- UL248-14-2000 Low-Voltage Fuses-Part14: Supplemental Fuses
- CSA C22.2 No.248.1-2000 Low-Voltage Fuses-Part1: General Requirements
- CSA C22.2 No.248.14-2000 Low-Voltage Fuses-Part14: Supplemental Fuses
- IEC60127-1 Miniature fuses-part 1: Definitions for miniature fuses and general requirements for miniature fuse-links
- IEC60127-4 Miniature fuses-Part4: Universal modular fuse-links (UMF)

## 2. Classification

Type designation shall be the following form.

(Example)	FCC	16	162	AB	TP
	1	2	3	4	5
	Style				

1 Chip fuses; rectangular type  Style

2 Size

3 Rated current

162	162--> 1.6A
-----	-------------

4 Optional code

Symbol	Content
AB	Standard
AD	

5 Packaging form

B	Bulk (loose package)
PA	Press pocket taping
TP	Paper taping

## 3. Safety standard approval

- UL248-1 and UL248-14
- CSA C22.2, No. 248.1-00 and CSA C22.2, No. 248.14-00

The file number to be designated by UL and C-UL shall be as follows: E176847

#### 4. Rating

The ratings shall be in accordance with Table-1.

##### 4.1 Optional code: AB

Table-1(1)

Style	Rated current			Internal resistance value (mΩ max.)	Rated voltage (V)	Breaking capacity (A)	Time / current characteristic	
	Symbol	(A)	Marking symbol				Current	Pre-arcing time
FCC10	201	0.2	Z	2400	DC30	35	200%	5 s max.
	251	0.25	C	1000				
	321	0.315	D	750				
	401	0.4	E	620				
	501	0.5	F	340				
	631	0.63	I	290				
	751	0.75	A	220				
	801	0.8	K	210				
	102	1.0	L	150				
	132	1.25	M	120				
	152	1.5	H	100				
162	1.6	N	90					
FHC10	202	2.0	S	55	DC24			
	252	2.5	T	40				
FCC16	201	0.2	ZB	3,200	DC36	35	200%	5 s max.
	251	0.25	CB	1,800				
	321	0.315	DB	1,000				
	401	0.4	EB	750				
	501	0.5	FB	330				
	631	0.63	IB	280				
	751	0.75	AB	210				
	801	0.8	KB	200				
	102	1.0	LB	130				
	132	1.25	MB	110				
	152	1.5	HB	95				
	162	1.6	NB	85				
FHC16	202	2.0	SB	70	DC32			
	252	2.5	TB	40				
FCC20	501	0.5	FB	330	DC50	50	200%	5 s max.
	631	0.63	IB	270				
	801	0.8	KB	190				
	102	1.0	LB	130				
	132	1.25	MB	100				
	162	1.6	NB	80				
	202	2.0	SB	65				
FHC20	252	2.5	TB	40	DC32			

## 4.2 Optional code: AD

Table-1(2)

Style	Rated current			Internal resistance value (mΩ max.)	Rated voltage (V)	Breaking capacity (A)	Time / current characteristic	
	Symbol	(A)	Marking symbol				Current	Pre-arcing time
FCC10	151	0.15	O	2700	DC32	35	250%	5 s max.
	201	0.2	Z	1000	DC30			
	251	0.25	C	750				
	321	0.315	D	620				
	401	0.4	E	340				
	501	0.5	F	290				
	631	0.63	I	210				
	801	0.8	K	150				
	102	1.0	L	120				
FHC10	132	1.25	M	90	DC24			
	162	1.6	N	55				
	202	2.0	S	40				
	252	2.5	T	36				
FCC16	322	3.15	U	26	DC36	35	250%	5 s max.
	151	0.15	OD	4000				
	201	0.2	ZD	1800				
	251	0.25	CD	1000				
	321	0.315	DD	750				
	401	0.4	ED	330				
	501	0.5	FD	280				
	631	0.63	ID	200				
	801	0.8	KD	130				
	102	1.0	LD	110				
	132	1.25	MD	85				
	162	1.6	ND	70				
FHC16	202	2.0	SD	55	DC32			
	252	2.5	TD	45	DC24			
FCC20	322	3.15	UD	26	DC50	50	250%	5 s max.
	402	4.0	XD	19				
	401	0.4	401	330				
	501	0.5	501	270				
	631	0.63	631	190				
	801	0.8	801	130				
	102	1.0	102	100				
	132	1.25	132	80				
FHC20	162	1.6	162	65	DC32			
	202	2.0	202	55				
	252	2.5	252	40				
FHC20	322	3.15	UD	26	DC24			
	402	4.0	XD	19	DC24			
FHC20	502	5.0	YD	14	DC24			

Table-1(3)

Style	Rated current			Internal resistance value (mΩ max.)	Rated voltage (V)	Breaking capacity (A)	Time / current characteristic	
	Symbol	(A)	Marking symbol				Current	Pre-arcing time
FCC32	201	0.2	201	1800	DC64	50	250%	5 s max.
	251	0.25	251	1000				
	321	0.315	321	750				
	401	0.4	401	350				
	501	0.5	501	295				
	631	0.63	631	200				
	801	0.8	801	140				
	102	1.0	102	110				
	132	1.25	132	85				
	152	1.5	152	78				
	162	1.6	162	75				
	202	2.0	202	65				
	252	2.5	252	45				
FHC32	322	3.15	UD	26	DC32			
	402	4.0	XD	19				
	502	5.0	YD	14				

4.3 Working temperature range: -55 to +125(°C)

## 5. Packaging form

The standard packaging form shall be in accordance with Table-2.

Table-2

Symbol	Packaging form		Standard packaging quantity / units	Application
B	Bulk (loose package)		1,000 pcs.	FCC10,16,20,32, FHC10,16,20,32
PA	Press pocket taping (paper taping)	8mm width, 2mm pitches	10,000 pcs.	FCC10, FHC10
TP	Paper taping	8mm width, 4mm pitches	5,000 pcs.	FCC16,20,32, FHC16,20,32

## 6. Dimensions

6.1 The resistor shall be of the design and physical dimensions in accordance with Figure-1 and Table-3.

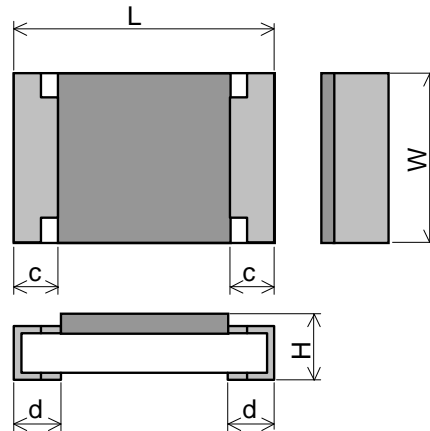


Figure-1

Table-3

Unit:mm

Style	L	W	H	c	d
FCC10, FHC10	1.0±0.05	0.5±0.05	0.4±0.05	0.2±0.1	0.25±0.10
FCC16, FHC16	1.6±0.1	0.8 <sup>+0.15</sup> <sub>-0.05</sub>	0.45±0.10	0.3±0.15	0.3±0.1
FCC20, FHC20	2.0±0.1	1.25±0.10	0.6±0.1	0.4±0.2	0.4±0.2
FCC32	3.2±0.2	1.6±0.15	0.6±0.1	0.5±0.25	0.5±0.25
FHC32			0.65±0.10		

## 6.2 Net weight (Reference)

Style	Net weight(mg)
FCC10, FHC10	0.8
FCC16, FHC16	2
FCC20, FHC20	6
FCC32	10
FHC32	11

## 7. Marking

The Marking symbol of Sub-clause 4.1 shall be marked on over coat side.

(Example)

Style	Optional code	Marking symbol	Content
FCC10	AB	N	FCC10 162 AB
FHC10		T	FHC10 252 AB
FCC16		SB	FCC16 202 AB
FHC16		TB	FHC16 252 AB
FCC20		SB	FCC20 202 AB
FHC20		TB	FHC20 252 AB
FCC10	AD	N	FCC10 162 AD
FHC10		U	FHC10 322 AD
FCC16		ND	FCC16 162 AD
FHC16		UD	FHC16 322 AD
FCC20		162	FCC20 162 AD
FHC20		UD	FHC20 322 AD
FCC32		162	FCC32 162 AD
FHC32		UD	FHC32 322 AD

## 8. Performance

8.1 Unless otherwise specified, the standard range of atmospheric conditions for tests is as follows;

Ambient temperature: 5 °C to 35 °C, Relative humidity: 45 % to 85 %, Air presser: 86 kPa to 106 kPa

If there is any doubt the results, measurements shall be made within the following:

Ambient temperature: 20 °C ± 2 °C, Relative humidity: 60 % to 70 %, Air presser: 86 kPa to 106 kPa

8.2 The performance shall be satisfied in Table-4.

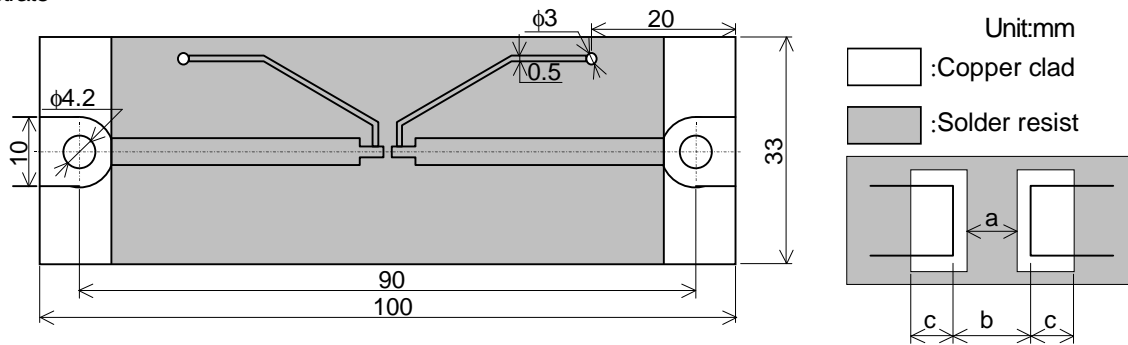
Table-4(1)

No.	Test items	Condition of test	Performance requirements		
1	Temperature rise	The fuse shall be mounted on the test substrate as shown in Figure-2. Measurement temp.: 10 °C to 30 °C Test current: Rated current The temperature at the hottest point on the surface of the fuse shall be measured after temperature equilibrium has been attained.	75 °C max.		
2	Current carrying capacity	The fuse shall be mounted on the test substrate as shown in Figure-2. Test current: 110 % of Rated current Test temp.: 70 °C ± 2 °C Test period: 1h	Without opening		
3	Time / current characteristic	The fuse shall be mounted on the test substrate as shown in Figure-2. Test current shall be applied for continuously.	Optional code	Current	Pre-arcing time
			AB	200%	5 s max.
			AD	250%	5 s max.
4	Terminal bond strength of the face plating	JIS C 60068-2-21 Ue1 The fuse shall be mounted on the test substrate as shown in Figure-2. Bending value: 3 mm (Among the fulcrums: 90 mm) Duration: 10 s ± 1 s	Change of internal resistance: ±3% No evidence of mechanical damage.		
5	Resistance to soldering heat	Test by a piece. Temp. of solder bath: 260 °C ± 5 °C Immersion time: 10 s ± 1 s After immersion into solder, leaving the room temp. for 1h or more, and then measure the internal resistance.	Change of internal resistance: ±10% No evidence of appearance damage		
		<ul style="list-style-type: none"> <li>• Reflow soldering</li> </ul> Pre-heating: 150 °C ~ 180 °C, 120 s max. Peak: 260 °C ± 5 °C, 10 s max. Reflow cycle: 2 times After immersion into solder, leaving the room temp. for 1h or more, and then measure the internal resistance.			
6	Solderability	JIS C 60068-2-58 Test by a piece Flux: Rosin-Methanol Temp. of solder bath: 235 °C ± 5 °C Immersion time: 2 s ± 0.5 s	The surface of terminal immersed shall be min. of 95 % covered with a new coating of solder.		

Table-4(2)

No.	Test items	Condition of test	Performance requirements
7	Rapid change temperature	JIS C 60068-2-14 Na The fuse shall be mounted on the test substrate as shown in Figure-2. Lower temperature: -55 °C Upper temperature: +125 °C Duration of exposure at each temperature: 30 min. Number of cycles: 5 cycles	Change of internal resistance: ±10% No evidence of appearance damage
8	Endurance test	The fuse shall be mounted on the test substrate as shown in Figure-2. Test condition: Nominal ambient temp. and Relative humidity. Test potential: 1. Cycle of 1 h "ON" and 15 min. "OFF" at 1.05 times rated current for 100 cycles. 2. After above the test , 1.25 times rated current for 1h.	The voltage drop across the fuse after the test shall not have increased by more than 10 % of the value measured before test.

## 9. Test substrate



Style	A	b	c
FCC10, FHC10	0.3	0.6	0.65
FCC16, FHC16	0.6	1.0	0.5
FCC20, FHC20	0.9	1.3	0.7
FCC32, FHC32	1.8	2.2	0.85

Figure-2 FCC, FHC TEST SUBSTRATE

Remark 1). Material: Epoxide woven glass  
 Thickness: 1.6mm Thickness of copper clad: 0.035mm

## 10. Taping

10.1 Applicable documents JIS C 0806-3: 2014, EIAJ ET-7200C: 2010

### 10.2 Taping dimensions

#### 10.2.1 Press pocket taping(8mm width, 2mm pitches)

Taping dimensions shall be in accordance with Figure-3 and Table-5.

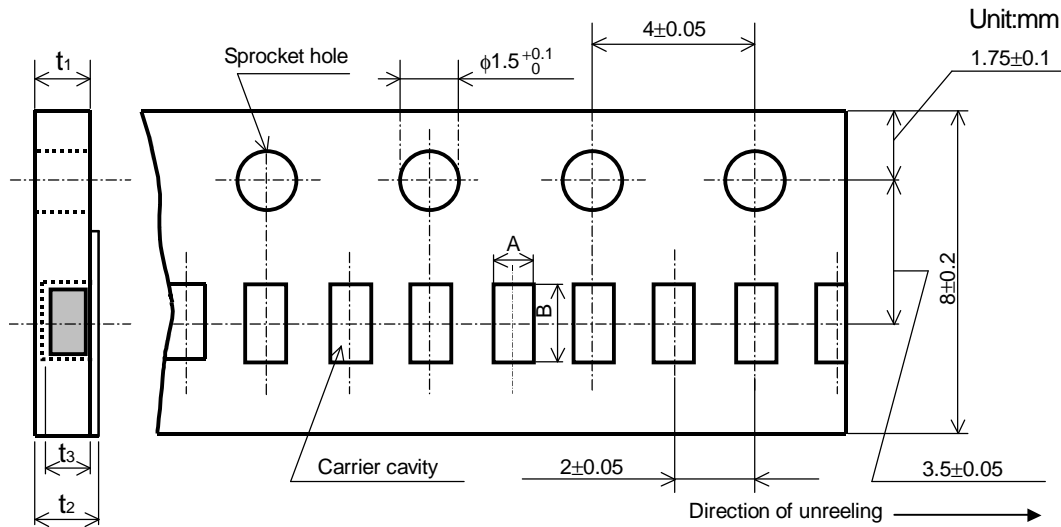


Figure-3

Table-5

Style	A	B	$t_1$	$t_2$	$t_3$
FCC10, FHC10	$0.65 \pm 0.1$	$1.15 \pm 0.1$	$0.6 \pm 0.05$	0.7max.	$0.5 \pm 0.05$

#### 10.2.2 Paper taping (8mm width, 4mm pitches)

Taping dimensions shall be in accordance with Figure-4 and Table-6.

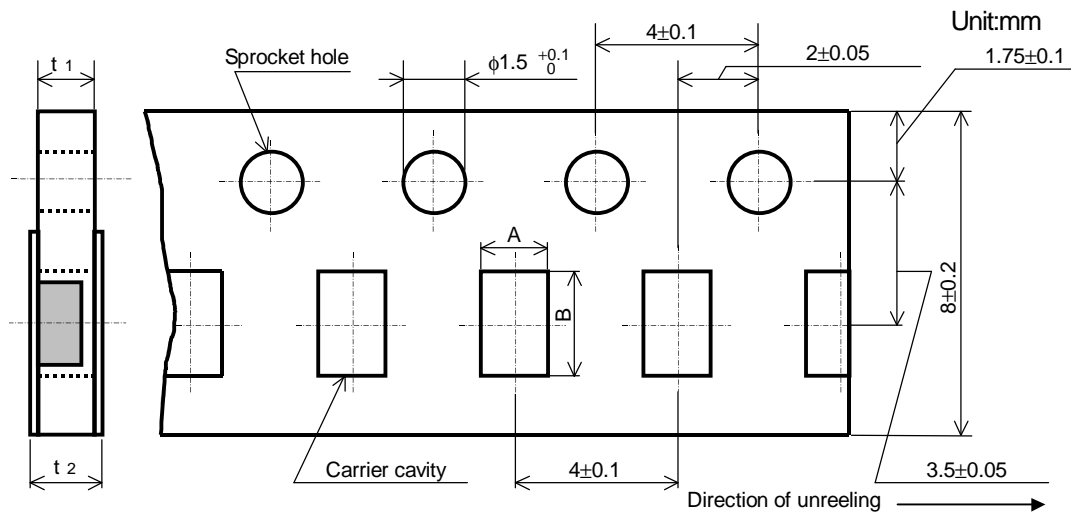


Figure-4

Table-6

Style	A	B	$t_1$	$t_2$
FCC16, FHC16	$1.15 \pm 0.15$	$1.9 \pm 0.2$	$0.6 \pm 0.1$	0.8 max.
FCC20, FHC20	$1.65 \pm 0.15$	$2.5 \pm 0.2$	$0.8 \pm 0.1$	1.0 max.
FCC32, FHC32	$2.0 \pm 0.15$	$3.6 \pm 0.2$		

- 1). The cover tapes shall not cover the sprocket holes.
- 2). Tapes in adjacent layers shall not stick together in the packing.
- 3). Components shall not stick to the carrier tape or to the cover tape.
- 4). Pitch tolerance over any 10 pitches  $\pm 0.2\text{mm}$ .
- 5). The peel strength of the top cover tape shall be with in 0.1N to 0.5N on the test method as shown in the following FCC10, FHC10:Figure-5,FCC16,20,32, FHC16,20,32 : Figure-6.
- 6). When the tape is bent with the minimum radius for 25 mm, the tape shall not be damaged and the components shall maintain their position and orientation in the tape.
- 7). In no case shall there be two or more consecutive components missing.  
The maximum number of missing components shall be one or 0.1%, whichever is greater.
- 8). The fuses shall be faced to upward at the over coating side in the carrier cavity.



Figure-5

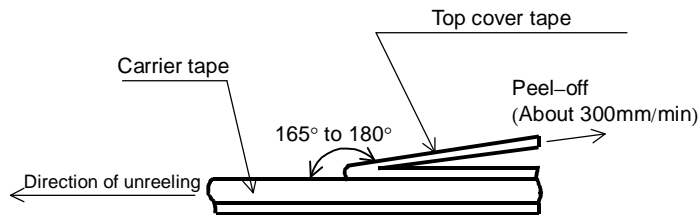


Figure-6

### 10.3 Reel dimension

Reel dimensions shall be in accordance with the following Figure-7 and Table-7.

Plastic reel (Based on EIAJ ET-7200C)

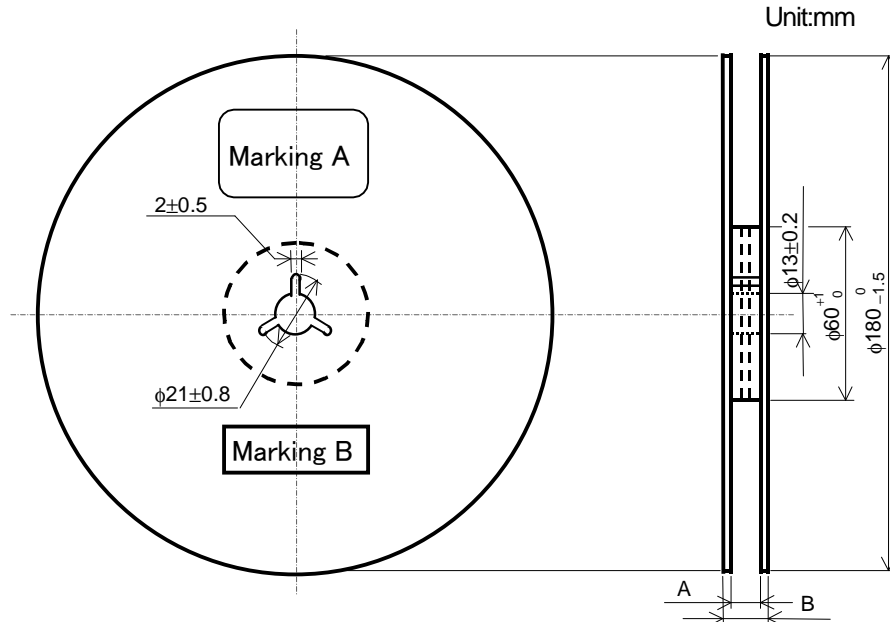


Figure-7

Table-7

Style	Unit:mm		Note
	A	B	
FCC10,16,20,32, FHC10,16,20,32	9 <sup>+1.0</sup> / <sub>0</sub>	11.4±1.0	Injection molding
		13±1.0	Vacuum forming

Note: Marking label shall be marked on a place of Marking A or two place of marking A and B.

### 10.4 Leader and trailer tape.

(Example)

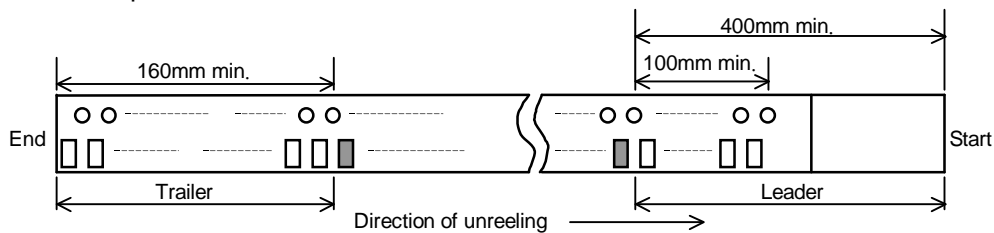


Figure-8

### 11. Marking on package

The label of a minimum package shall be legibly marked with follows.

#### 11.1 Marking A

- (1) Classification (Style, Rated current, Optional code, Packaging form) (2) Quantity (3) Lot number  
(5) Manufacturer's name or trade mark (6) UL and /or C-UL recognized component mark (7) Others

#### 11.2 Marking B (KAMAYA Control label)

## 12. Recommended Derating for Rated Current

- Nominal Derating

- Option Code AB: Nominal Derating  $\leq 70\%$  of Rated Current

- Option Code AD: Nominal Derating  $\leq 80\%$  of Rated Current

- Temperature Derating

- Please refer to the following graph regarding the current derating value for ambient temperature.



Ex.) • If Optional code: AB (Rated Current:1.0A) is used under ambient temperature 70°C

Kamaya recommends, less than the current value derated as below,

Rated Current:  $1.0A \times (\text{Nominal Derating} : 70\% \times \text{Temperature Derating} : 100\%) = 0.7A$



- If Optional code: AD (Rated Current:1.0A) is used under ambient temperature 70°C

Kamaya recommends, less than the current value derated as below,

Rated Current:  $1.0A \times (\text{Nominal Derating} : 80\% \times \text{Temperature Derating} : 100\%) = 0.8A$

## Looking for pricing, stock, or lifecycle information?

Click below to explore more details on WIN SOURCE:

-  [View FCC20202AATP](#) on WIN SOURCE
-  [Kamaya Inc.](#) Information

## Optimize Your Supply Chain with WIN SOURCE Solutions

-  Global Sourcing Solution
-  Obsolete Management
-  Cost Control Management
-  Shortage Management
-  Alternative Solution
-  Excess Inventory Management