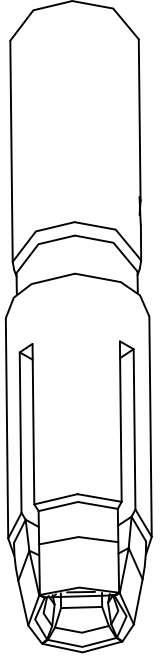
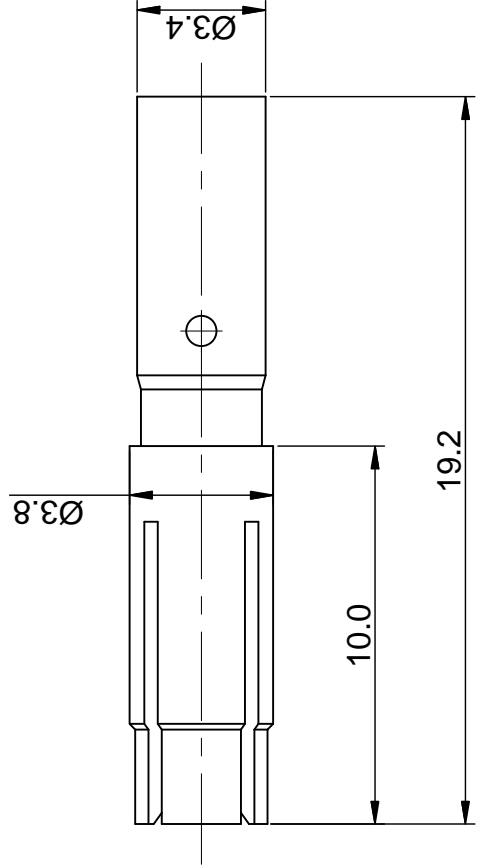
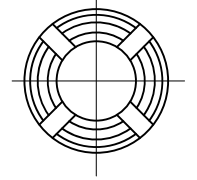
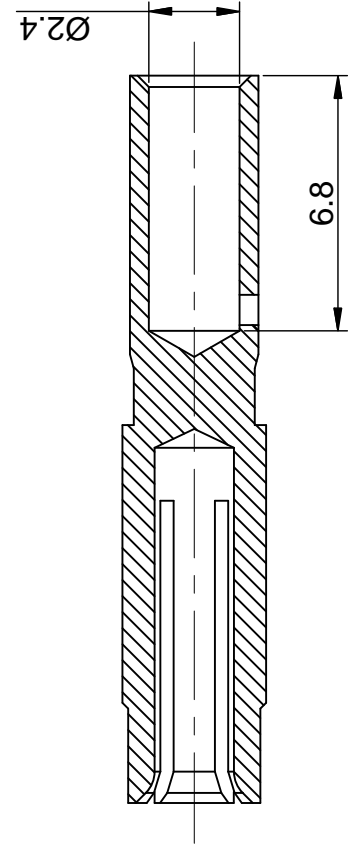




**THE DATASHEET OF
SC000045**





QUANTIT	UNLESS OTH	MATERIAL SPECIF	PROCESS SPECIF	NEXT ASSY.
	1) All dimension			
	2) Tolerance as			
	1 PL DEC +0.3			
	2 PL DEC +0.1			
	3 PL DEC +0.0			
	3) Note referen			

Looking for pricing, stock, or lifecycle information?

Click below to explore more details on WIN SOURCE:

- [View SC000045 on WIN SOURCE](#)
- [Amphenol Sine Systems Corp Information](#)

Optimize Your Supply Chain with WIN SOURCE Solutions

- ✓ Global Sourcing Solution
- ✓ Obsolete Management
- ✓ Cost Control Management
- ✓ Shortage Management
- ✓ Alternative Solution
- ✓ Excess Inventory Management