



# THE DATASHEET OF J1B1211CCD





## SINGLE RJ45 CONNECTOR MODULE WITH 10/100 BASE-TX MAGNETICS AND LEDS

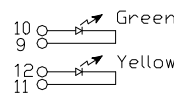
P/N: J1B1211CCD

### Feature

- Suitable for CAT 5 & 6 Fast Ethernet Cable or better UTP.
- Meets or exceeds IEEE 802.3 standard for 100 Base-T.
- 350  $\mu$ H minimum OCL with 8 mA bias current.
- Minimum 1500 Vrms isolation per IEEE 802.3 requirement.
- All materials are RoHS and UL94-V0 compliant.
- RoHS peak solder rating 260°C.
- Meet EN60950-1 basic insulation requirement.
- Recommended panel.



Part Number	9,10 (Left Led)	11,12 (Right Led)
2	Green	Yellow



Electrical Specifications @ 25°C						
Part Number	Turns Ratio ( $\pm 5\%$ )		Insertion Loss (dB Max)	Return Loss 100ohm $\pm$ 5ohm (dB Min)		
	TX	RX		1-30MHz	30-60MHz	60-80MHz
J1B1211CCD	1CT : 1CT	1CT : 1CT	-1.0	-18	-14	-12

Electrical Specifications @ 25°C			
Part Number	Crosstalk (dB Min)	Common Mode Rejection (dB Min)	HI-POT (Vac)
	1-100MHz		
J1B1211CCD	-30	-30	1500

RJ45 Durability Testing Rating & Material Specification			
Part Number	Durability	Mating Force	Shield
			Material
J1B1211CCD	750 Insertions	5 lbs./2.268 kgs.	Brass 30 $\mu$ inches Nickel over

RJ45 Material Specification				
Part Number	Contact		Housing	
	Material	Plating Area	Material	Specification
J1B1211CCD	Phosphor Brass	50 $\mu$ inches Nickel over selective gold plating 6 $\mu$ inches	Thermoplastic	UL 94 V-0

\* Operating temperature range: -40°C to +85°C. Storage temperature range: -40°C to +125°C.

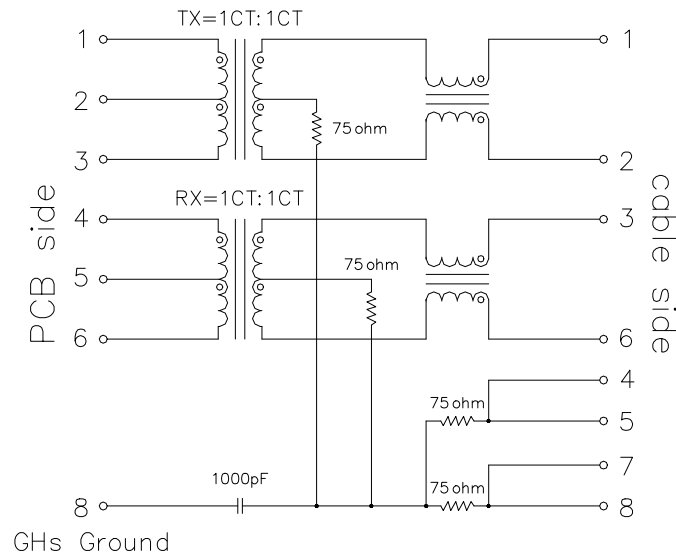
Tel:+86-757-81811611	Fax:+86-757-81811621
E-mail:sales@ceetus.com.cn	Website:www.ceetus.com.cn



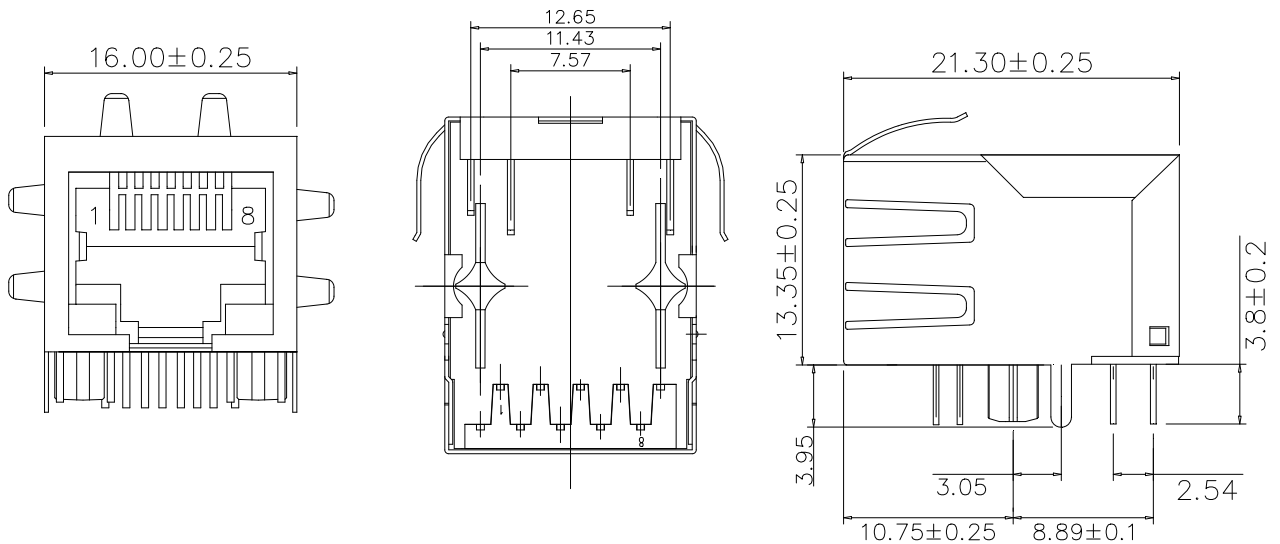
## SINGLE RJ45 CONNECTOR MODULE WITH 10/100 BASE-TX MAGNETICS AND LEDS

P/N: J1B1211CCD

### Schematic



### Mechanical



Units: mm.

Tolerance:  $\pm 0.25$  unless specified.

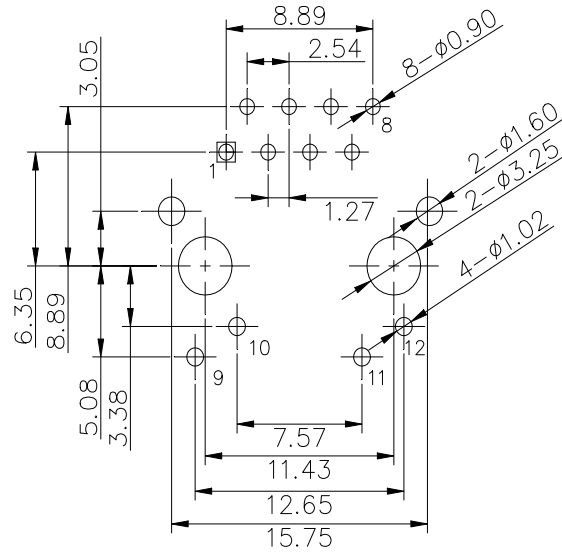
Tel:+86-757-81811611	Fax:+86-757-81811621
E-mail:sales@ceetus.com.cn	Website:www.ceetus.com.cn



## SINGLE RJ45 CONNECTOR MODULE WITH 10/100 BASE-TX MAGNETICS AND LEDS

P/N: J1B1211CCD

### PCB Layout Mounting Hole (Top View)



Tel:+86-757-81811611	Fax:+86-757-81811621
E-mail:sales@ceetus.com.cn	Website:www.ceetus.com.cn






## Looking for pricing, stock, or lifecycle information?

Click below to explore more details on WIN SOURCE:

 [View J1B1211CCD on WIN SOURCE](#)

 [WIZnet Information](#)

## Optimize Your Supply Chain with WIN SOURCE Solutions

-  Global Sourcing Solution
-  Obsolete Management
-  Cost Control Management
-  Shortage Management
-  Alternative Solution
-  Excess Inventory Management