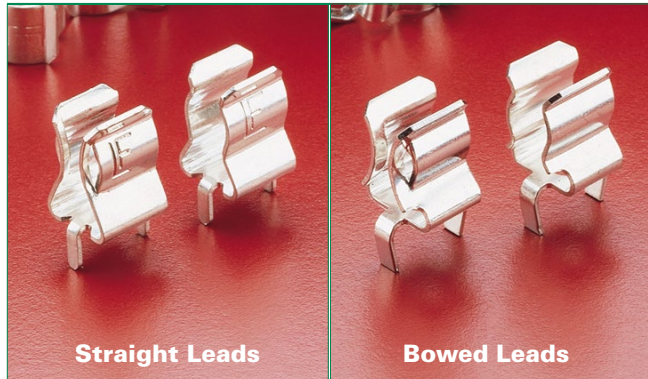





THE DATASHEET OF
01220088Z



102/122 Series Circuit Board Mount Fuse Clips for 1/4" Diameter Fuses



Agency Approval		
Agency	Agency File Number	
	102 Series	122 Series
	E14721	

Additional Information


**Datasheet
 102 Series**


**Resources
 102 Series**


**Samples
 102 Series**


**Datasheet
 122 Series**

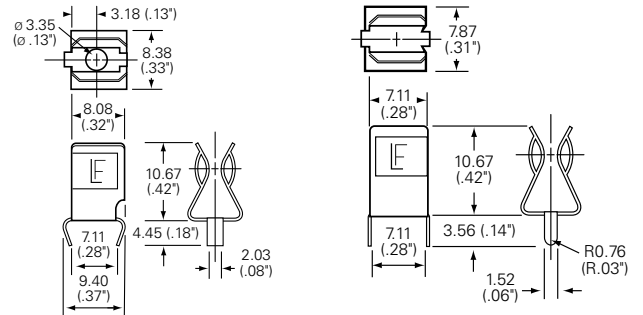

**Resources
 122 Series**


**Samples
 122 Series**

Product Characteristics

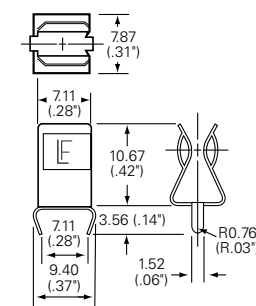
	102 Series	122 Series
Compatible Fuse Size	1/4" Diameter Fuses 312, 313, 314, 326, 505, 506, 508 Series	
Current Level	15 amperes max	30 amperes max

Product Dimensions

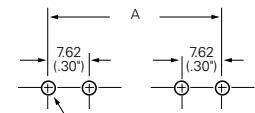


Bowed Leads for 102 series

Straight Leads for 102 and 122 Series



Bowed Leads for 122 series



Recommended Mounting Dimensions

Nominal Fuse Length	"A" Length
5/8	.750
3/4	.875
7/8	1.000
1	1.125
1 1/16	1.187
1 1/4	1.347
1 7/16	1.562

Ordering Information

Ordering PN *	Catalog No.	Clip Material	Plating	Style	Packaging Available
Traditional Clips					
01020071	102 071	Spring Brass	Tin-plated	Ear	Z
01020074	102 074	Spring Brass	Tin-plated	Earless	Z
01020076	102 076	Spring Brass	Tin-plated	Ear	Z
01220055	122 055	Copper-Nickel Alloy	Tin-plated	Ear	Z
01220083	122 083	Beryllium Copper	Silver-plated	Ear	Z
01220087	122 087	Beryllium Copper	Silver-plated	Earless	Z
01220088	122 088	Beryllium Copper	Tin-plated	Ear	Z & ZR
01220093	122 093	Beryllium Copper	Tin-plated	Earless	Z
Bowed Tab Clips					
01020078	102 078	Spring Brass	Tin-plated	Earless	H & Z
01020079	102 079	Spring Brass	Tin-plated	Ear	Z
01220055Z-1	122 055	Copper-Nickel Alloy	Tin-plated	Ear	-
01220088Z-1	122 088	Beryllium Copper	Tin-plated	Ear	-

***Add Suffix to the Ordering PN for Packaging:**

"H" = Std. package 100 pcs per pack

"Z" = For bulk package

"ZR" = Tape and reel package, 300pcs

Looking for pricing, stock, or lifecycle information?

Click below to explore more details on WIN SOURCE:

 [View 01220088Z on WIN SOURCE](#)

 [Littelfuse Inc. Information](#)

Optimize Your Supply Chain with WIN SOURCE Solutions

-  Global Sourcing Solution
-  Obsolete Management
-  Cost Control Management
-  Shortage Management
-  Alternative Solution
-  Excess Inventory Management