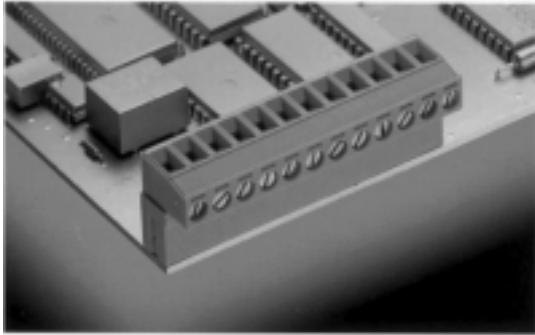




**THE DATASHEET OF
ED950/3**



ED950/X (5.0 mm)
EDZ950/X (5.08 mm)



2-24 poles, Spacing 5.0 mm or 5.08 mm
 insert required no. of poles \times
 How to order see page 5



Ratings:

Rated Voltage	300 V	250 V
Rated Current	15 A	12 A (T60)
Wire Size	AWG 22-12	2.5 mm²
Test Voltage	4 kV/3	4 kV/3
Rated Torque/ScrewSize	0.5 Nm/M3	0.5 Nm/M3

Max. Rated Cross Section

Single Wire (solid)	2.5 mm²
Stranded Wire (flexible)	2.5 mm²
Stranded wire with Ferrules	2.5 mm²

Dimensions

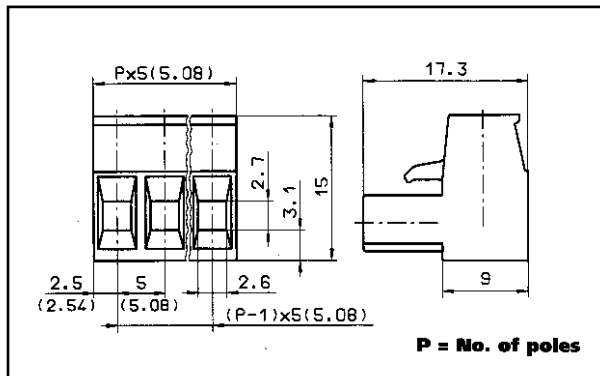
Spacing	5.0 mm (5.08 mm)
Stripped Length	6.0 mm

Materials

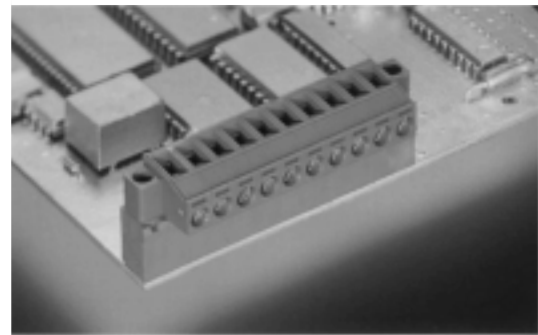
Insulating Material	PA
Flammability Class	UL94 V-0
Temperature Range	-30°C/+105°C
Terminal Block	CuZn
Contact	CuSn

Color

Green



ED951/X (5.0 mm)
EDZ951/X (5.08 mm)



2-10 poles, Spacing 5.0 mm or 5.08 mm
 insert required no. of poles \times
 How to order see page 5



Ratings:

Rated Voltage	300 V	250 V
Rated Current	15 A	12 A (T60)
Wire Size	AWG 22-12	2.5 mm²
Test Voltage	4 kV/3	4 kV/3
Rated Torque/ScrewSize	0.5 Nm/M3	0.5 Nm/M3

Max. Rated Cross Section

Single Wire (solid)	2.5 mm²
Stranded Wire (flexible)	2.5 mm²
Stranded wire with Ferrules	2.5 mm²

Dimensions

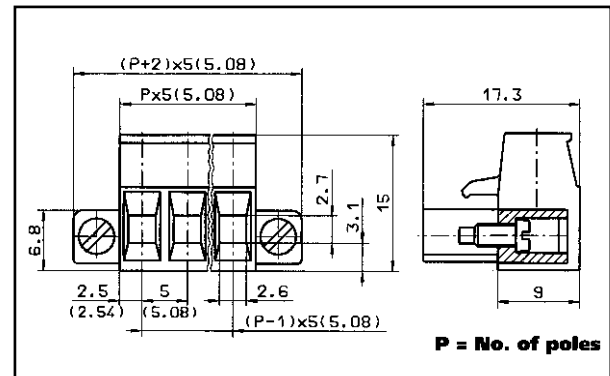
Spacing	5.0 mm (5.08 mm)
Stripped Length	6.0 mm

Materials

Insulating Material	PA
Flammability Class	UL94 V-0
Temperature Range	-30°C/+105°C
Terminal Block	CuZn
Contact	CuSn

Color

Green



Looking for pricing, stock, or lifecycle information?

Click below to explore more details on WIN SOURCE:

- ⊖ [View ED950/3 on WIN SOURCE](#)
- ⊖ [On Shore Technology Inc. Information](#)

Optimize Your Supply Chain with WIN SOURCE Solutions

- ✓ Global Sourcing Solution
- ✓ Obsolete Management
- ✓ Cost Control Management
- ✓ Shortage Management
- ✓ Alternative Solution
- ✓ Excess Inventory Management