



**THE DATASHEET OF
C330C183KGR5TA**



High Voltage Goldmax, 300 Series, Conformally Coated, X7R Dielectric, 500 – 3,000 VDC (Commercial Grade)

Overview

KEMET's 300 Series High Voltage Goldmax conformally coated radial leaded ceramic capacitors in X7R dielectric feature a 125°C maximum operating temperature. The Electronics Industries Alliance (EIA) characterizes X7R dielectric as a Class II "temperature stable" material. Components of this classification are fixed, ceramic dielectric capacitors suited for bypass and decoupling applications or for frequency discriminating circuits where Q and stability of capacitance characteristics are not critical. X7R exhibits a predictable change in capacitance with respect to time and voltage and boasts a minimal change in capacitance with reference to ambient temperature. Capacitance change is limited to $\pm 15\%$ from -55°C to $+125^\circ\text{C}$.

These devices offer low leakage current, exhibit low ESR at high frequencies and find conventional use as snubbers

or filters in applications such as switching power supplies and in lighting ballasts. Their exceptional performance at high frequencies has made them a preferred choice of design engineers worldwide. In addition to their use in power supplies, these capacitors are widely used in industries related to telecommunications, medical, military, aerospace, semiconductor and test/diagnostic equipment



Ordering Information

C	320			C	473	K	C	R	5	T	A	7301
Ceramic	Style/Size			Specification/ Series	Capacitance Code (pF)	Capacitance Tolerance ¹	Rated Voltage (VDC)	Dielectric	Design	Lead Finish ²	Failure Rate	Packaging (C-Spec)
	315	324	335	C = Standard	First two digits represent significant figures. Third digit specifies number of zeros.	J = $\pm 5\%$ K = $\pm 10\%$ M = $\pm 20\%$	C = 500 B = 630 D = 1,000 F = 1,500 G = 2,000 Z = 2,500 H = 3,000	R = X7R	5 = Multilayer	T = 100% Matte Sn H = SnPb (60/40)	A = N/A	See "Packaging C-Spec Ordering Options Table" below
	316	325	336									
	317	326	340									
	318	327	346									
	320	328	350									
	321	330	356									
	322	331										
	323	333										

¹ Additional capacitance tolerance offerings may be available. Contact KEMET for details.

² Lead materials:

Standard: 100% matte tin (Sn) with nickel (Ni) underplate and steel core ("T" designation).

Alternative 1: 60% tin (Sn)/40% lead (Pb) finish with copper-clad steel core ("H" designation).

Alternative 2: 60% tin (Sn)/40% lead (Pb) finish with 100% copper core (available with "H" designation code with C-Spec). Contact KEMET for C-Spec details.

Benefits

- Radial leaded form factor
- Conformally coated
- 0.100", 0.200", 0.250" and 0.400" lead spacing
- Operating temperature range of -55°C to +125°C
- Lead (Pb)-free, RoHS and REACH compliant
- X7R temperature stable dielectric
- DC voltage ratings of 500 V, 630 V, 1 KV, 1.5 KV, 2 KV, 2.5 KV, and 3 KV
- Capacitance offerings ranging from 10 pF to 0.56 μ F
- Available capacitance tolerances of $\pm 5\%$, $\pm 10\%$ and $\pm 20\%$
- High temperature solder lead attach
- Non-polar device, minimizing installation concerns
- 100% pure matte tin-plated lead finish allowing for excellent solderability
- SnPb-plated lead finish option available upon request (Sn60/Pb40)
- Encapsulation meets flammability standard UL 94V-0

Applications

Typical applications include switch mode power supplies (input filters, resonators, tank circuits, snubber circuits, output filters), high voltage coupling and DC blocking, lighting ballasts, voltage multiplier circuits, DC/DC converters and coupling capacitors in \dot{C} uk converters. Markets include power supply, LCD fluorescent backlight ballasts, HID lighting, telecom equipment, industrial and medical equipment/control, LAN/WAN interface, analog and digital modems, and automotive. X7R dielectrics are not designed for AC line filtering applications.

Application Notes

X7R dielectric is not recommended for AC line filtering or pulse applications.

Packaging C-Spec Ordering Options Table

Packaging Type ¹	Packaging/Grade Ordering Code (C-Spec)
Bulk Bag	Not required (Blank)
12" Tape & Reel (16.0 \pm 0.5 mm lead length)	7301
12" Tape & Reel (18.0 mm minimum lead length)	7303
Ammo Pack (16.0 \pm 0.5 mm lead length)	7305
Ammo Pack (18.0 mm minimum lead length)	7317

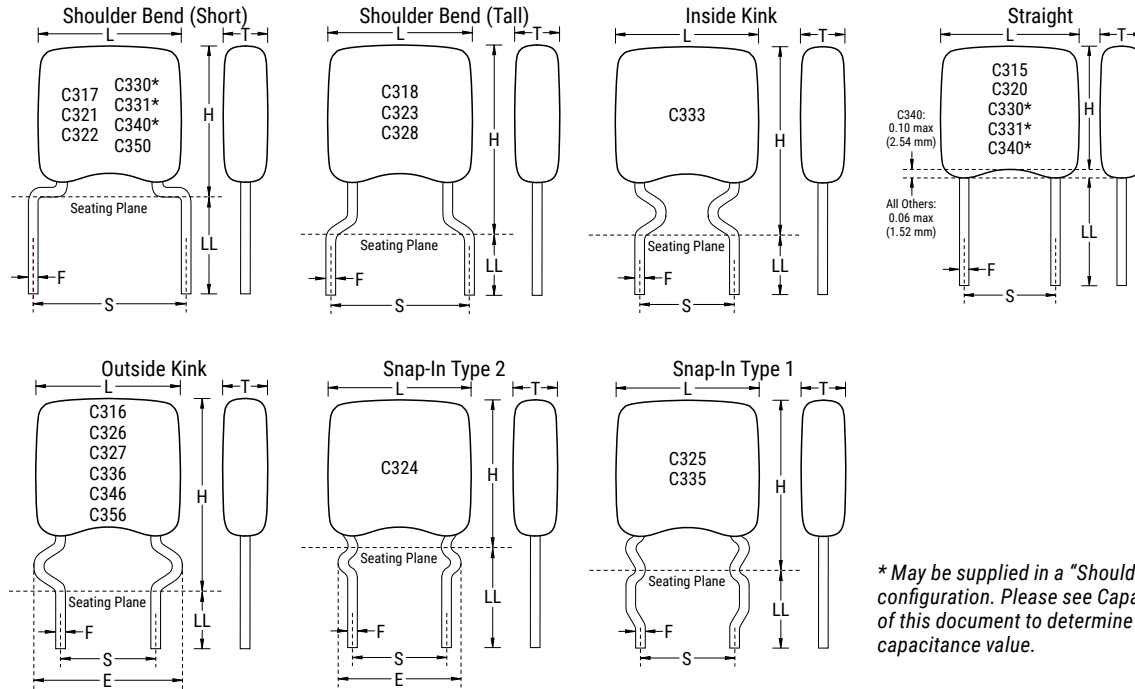
¹ Default packaging is "Bulk Bag". An ordering code C-Spec is not required for "Bulk Bag" packaging. Bulk bag option is required for Size/Style C321 and C331.

¹ "Tape and Reel" packaging option is not available for Size/Style C321 and C331. For more information see "Packaging Quantities".

¹ "Ammo Pack" packaging option is not available for Size/Style C321, C331, C350 and C356. For more information see "Packaging Quantities".

¹ "Ammo Pack" and "Tape and Reel" packaging options have the same lead tape configuration. For more information see "Tape & Reel Packaging Information".

Dimensions – Inches (Millimeters)



* May be supplied in a "Shoulder Bend" or "Straight" Lead configuration. Please see Capacitance Range Waterfall section of this document to determine lead configuration availability by capacitance value.

Series	Style/Size	S Lead Spacing ±0.030 (0.78)	L Length Maximum	H Height Maximum	T Thickness Maximum	F Lead Diameter +0.004 (0.10), -0.001 (0.025)	LL Lead Length Minimum
C31X	315	0.100 (2.54)	0.150 (3.81)	0.130 (3.30)	0.120 (3.14)	0.020 (0.51)	0.276 (7.00)
	316		0.150 (3.81)	0.230 (5.84)	0.150 (3.81)		0.200 (5.08)
C32X	324		0.200 (5.08)	0.260 (6.60)	0.200 (5.08)		0.276 (7.00)
	320	0.200 (5.08)	0.230 (5.84)	0.150 (3.81)	0.276 (7.00)		
C31X	326	0.200 (5.08)	0.350 (8.89)	0.200 (5.08)	0.200 (5.08)		
	317	0.200 (5.08)	0.150 (3.81)	0.200 (5.08)	0.120 (3.14)		0.276 (7.00)
C32X	318	0.200 (5.08)	0.150 (3.81)	0.235 (5.97)	0.150 (3.81)		0.276 (7.00)
	321	0.250 (6.35)	0.200 (5.08)	0.260 (6.60)	0.200 (5.08)		0.276 (7.00)
	322	0.200 (5.08)	0.200 (5.08)	0.260 (6.60)	0.150 (3.81)		0.276 (7.00)
	323		0.200 (5.08)	0.300 (7.62)	0.150 (3.81)		0.276 (7.00)
	325		0.200 (5.08)	0.320 (8.13)	0.200 (5.08)	0.276 (7.00)	
	328		0.200 (5.08)	0.325 (8.26)	0.200 (5.08)	0.276 (7.00)	
C33X	327	0.200 (5.08)	0.350 (8.89)	0.200 (5.08)	0.200 (5.08)	0.200 (5.08)	
	330	0.250 (6.35)	0.300 (7.62)	0.360 (9.14)	0.200 (5.08)	0.276 (7.00)	
	331		0.300 (7.62)	0.360 (9.14)	0.250 (6.35)	0.276 (7.00)	
	C34X	333	0.200 (5.08)	0.300 (7.62)	0.420 (10.67)	0.200 (5.08)	0.276 (7.00)
		335		0.300 (7.62)	0.420 (10.67)	0.250 (6.35)	0.276 (7.00)
336		0.300 (7.62)		0.450 (11.43)	0.250 (6.35)	0.200 (5.08)	
C35X	340	0.400 (10.16)	0.400 (10.16)	0.460 (11.68)	0.270 (6.85)	0.276 (7.00)	
	346		0.400 (10.16)	0.590 (14.97)	0.270 (6.85)	0.200 (5.08)	
C35X	350	0.400 (10.16)	0.500 (12.70)	0.560 (14.22)	0.270 (6.85)	0.025 (0.64)	0.276 (7.00)
	356		0.500 (12.70)	0.670 (17.02)	0.270 (6.85)	0.200 (5.08)	

Qualification/Certification

Commercial Grade products are subject to internal qualification. Details regarding test methods and conditions are referenced in Table 2, Performance & Reliability.

Environmental Compliance

Lead (Pb)-free, REACH and RoHS compliant without exemptions when ordered with a 100% tin (Sn) wire lead finish. Product ordered with tin/ lead (Sn60/Pb40) wire lead finish do not meet RoHS criteria.

Series	Termination Finish (Wire Lead)	RoHS Compliant	RoHS Exemption Code	REACH Compliant ¹	Halogen Free
300 (C3XX)	100% Matte Sn	Yes	n/a	Yes	Yes
	Sn60/Pb40	No	n/a	Yes	Yes

¹ REACH compliance indicates product does not contain Substance/s of Very High Concern (SVHC)

Electrical Parameters/Characteristics

Item	Parameters/Characteristics
Operating Temperature Range	-55°C to +125°C
Capacitance Change with Reference to +25°C and 0 VDC Applied (TCC)	±15%
Aging Rate (Maximum % Cap Loss/Decade Hour)	3.0%
Dielectric Withstanding Voltage	150% of rated voltage for voltage rating of < 1,000 V 120% of rated voltage for voltage rating of ≥ 1,000 V (5±1 seconds and charge/discharge not exceeding 50 mA at 25°C)
Dissipation Factor (DF) Maximum Limit at 25°C	2.5%
Insulation Resistance (IR) Limit at 25°C	See Insulation Resistance Limit Table (500 VDC applied for 120±5 seconds at 25°C)

Regarding aging rate: Capacitance measurements (including tolerance) are indexed to a referee time of 1,000 hours.

To obtain IR limit, divide $M\Omega\text{-}\mu F$ value by the capacitance and compare to $G\Omega$ limit. Select the lower of the two limits.

Capacitance and dissipation factor (DF) measured under the following conditions:

$$1 \text{ kHz } \pm 50 \text{ Hz and } 1.0 \pm 0.2 V_{rms}$$

Note: When measuring capacitance it is important to ensure the set voltage level is held constant. The HP4284 and Agilent E4980 have a feature known as Automatic Level Control (ALC). The ALC feature should be switched to "ON."

Insulation Resistance Limit Table

Style/Size	Rated Voltage (VDC)	1,000 Megohm Microfarads or 100 GΩ	100 Megohm Microfarads or 10 GΩ
C31X	≤ 1000	≤ 1.8 nF	≥ 2.2 nF
C320, C322, C323, C326, C328		≤ 1.8 nF	≥ 2.2 nF
C321, C324, C325, C327		≤ 10 nF	≥ 12 nF
C33X		≤ 10 nF	≥ 12 nF
C34X		≤ 10 nF	≥ 12 nF
C35X		≤ 120 nF	≥ 150 nF
C31X	> 1000	All	N/A
C32X			
C33X			
C34X			
C35X			

Post Environmental Limits

High Temperature Life, Biased Humidity and Storage Life					
Style/Size	Rated DC Voltage	Capacitance Value	Dissipation Factor (Maximum %)	Capacitance Shift	Insulation Resistance
All	All	All	3.0	± 20%	10% of Initial Limit

Table 1A – C31X Style/Size, Capacitance Range Waterfall

C315, C316, C317, C318 Style/Size (0.100" & 0.200" Lead Spacing)				
Rated Voltage (VDC)		500	630	1000
Voltage Code		C	B	D
Capacitance	Capacitance Tolerance	Capacitance Code (Available Capacitance)		
10pF	J = ±5% K = ±10% M = ±20%	100	100	100
12pF		120	120	120
15pF		150	150	150
18pF		180	180	180
22pF		220	220	220
27pF		270	270	270
33pF		330	330	330
39pF		390	390	390
47pF		470	470	470
56pF		560	560	560
68pF		680	680	680
82pF		820	820	820
100pF		101	101	101
120pF		121	121	121
150pF		151	151	151
180pF		181	181	181
220pF		221	221	221
270pF		271	271	271
330pF		331	331	331
390pF		391	391	391
470pF		471	471	471
560pF		561	561	561
680pF		681	681	681
820pF		821	821	821
1000pF		102	102	102
1200pF		122	122	122
1500pF		152	152	152
1800pF		182	182	182
2200pF		222	222	222
2700pF		272	272	272
3300pF		332	332	332
3900pF		392	392	392
4700pF		472	472	472
5600pF	562	562		
6800pF	682	682		
8200pF	822	822		
0.01μF	103			
0.012μF	123			
Rated Voltage (VDC)		500	630	1000
Voltage Code		C	B	D

Table 1B – C32X Style/Size, Capacitance Range Waterfall

C320, C322, C323, C326, C328 Style/Size (0.100" & 0.200" Lead Spacing)						
Rated Voltage (VDC)		500	630	1000	1500	2000
Voltage Code		C	B	D	F	G
Capacitance	Capacitance Tolerance	Capacitance Code (Available Capacitance)				
10pF	J = ±5% K = ±10% M = ±20%	100	100	100	100	100
12pF		120	120	120	120	120
15pF		150	150	150	150	150
18pF		180	180	180	180	180
22pF		220	220	220	220	220
27pF		270	270	270	270	270
33pF		330	330	330	330	330
39pF		390	390	390	390	390
47pF		470	470	470	470	470
56pF		560	560	560	560	560
68pF		680	680	680	680	680
82pF		820	820	820	820	820
100pF		101	101	101	101	101
120pF		121	121	121	121	121
150pF		151	151	151	151	151
180pF		181	181	181	181	181
220pF		221	221	221	221	221
270pF		271	271	271	271	271
330pF		331	331	331	331	331
390pF		391	391	391	391	391
470pF		471	471	471	471	471
560pF		561	561	561	561	561
680pF		681	681	681	681	681
820pF		821	821	821	821	821
1000pF		102	102	102	102	102
1200pF		122	122	122	122	122
1500pF		152	152	152	152	152
1800pF		182	182	182	182	182
2200pF		222	222	222	222	222
2700pF		272	272	272	272	272
3300pF		332	332	332	332	332
3900pF		392	392	392	392	392
4700pF		472	472	472	472	472
5600pF		562	562	562	562	562
6800pF		682	682	682	682	682
8200pF		822	822	822	822	
0.01µF		103	103	103	103	
0.012µF		123	123	123	123	
0.015µF		153	153	153	153	
0.018µF		183	183	183	183	
0.022µF	223	223	223	223		
0.027µF	273	273	273	273		
0.033µF	333	333	333	333		
0.039µF	393	393	393	393		
0.047µF	473	473	473			
0.056µF	563	563	563			
0.068µF	683	683	683			
0.082µF	823	823				
0.1µF	104	104				
0.12µF	124					
0.15µF	154					
Rated Voltage (VDC)		500	630	1000	1500	2000
Voltage Code		C	B	D	F	G

Table 1C – C32X Style/Size, Capacitance Range Waterfall

C321, C324, C325, C327 Style/Size (0.100" & 0.200" Lead Spacing)						
Rated Voltage (VDC)		500	630	1000	1500	2000
Voltage Code		C	B	D	F	G
Capacitance	Capacitance Tolerance	Capacitance Code (Available Capacitance)				
10pF	J = ±5% K = ±10% M = ±20%	100	100	100	100	100
12pF		120	120	120	120	120
15pF		150	150	150	150	150
18pF		180	180	180	180	180
22pF		220	220	220	220	220
27pF		270	270	270	270	270
33pF		330	330	330	330	330
39pF		390	390	390	390	390
47pF		470	470	470	470	470
56pF		560	560	560	560	560
68pF		680	680	680	680	680
82pF		820	820	820	820	820
100pF		101	101	101	101	101
120pF		121	121	121	121	121
150pF		151	151	151	151	151
180pF		181	181	181	181	181
220pF		221	221	221	221	221
270pF		271	271	271	271	271
330pF		331	331	331	331	331
390pF		391	391	391	391	391
470pF		471	471	471	471	471
560pF		561	561	561	561	561
680pF		681	681	681	681	681
820pF		821	821	821	821	821
1000pF		102	102	102	102	102
1200pF		122	122	122	122	122
1500pF		152	152	152	152	152
1800pF		182	182	182	182	182
2200pF		222	222	222	222	222
2700pF		272	272	272	272	272
3300pF		332	332	332	332	332
3900pF		392	392	392	392	392
4700pF		472	472	472	472	472
5600pF		562	562	562	562	562
6800pF		682	682	682	682	682
8200pF		822	822	822	822	
0.01µF		103	103	103	103	
0.012µF		123	123	123	123	
0.015µF		153	153	153	153	
0.018µF		183	183	183	183	
0.022µF		223	223	223	223	
0.027µF		273	273	273	273	
0.033µF		333	333	333	333	
0.039µF		393	393	393	393	
0.047µF		473	473	473		
0.056µF	563	563	563			
0.068µF	683	683	683			
0.082µF	823	823				
0.1µF	104	104				
0.12µF	124					
0.15µF	154					
Rated Voltage (VDC)		500	630	1000	1500	2000
Voltage Code		C	B	D	F	G

Table 1D – C33X Style/Size, Capacitance Range Waterfall

C330, C331, C333, C335, C336, Style/Size (0.200" and 0.250" Lead Spacing)								
Rated Voltage (VDC)		500	630	1000	1500	2000	2500	3000
Voltage Code		C	B	D	F	G	Z	H
Capacitance	Capacitance Tolerance	Capacitance Code (Available Capacitance)						
10pF	J = ±5% K = ±10% M = ±20%	100*	100*	100*	100*	100*	100	100
12pF		120*	120*	120*	120*	120*	120	120
15pF		150*	150*	150*	150*	150*	150	150
18pF		180*	180*	180*	180*	180*	180	180
22pF		220*	220*	220*	220*	220*	220	220
27pF		270*	270*	270*	270*	270*	270	270
33pF		330*	330*	330*	330*	330*	330	330
39pF		390*	390*	390*	390*	390*	390	390
47pF		470*	470*	470*	470*	470*	470	470
56pF		560*	560*	560*	560*	560*	560	560
68pF		680*	680*	680*	680*	680*	680	680
82pF		820*	820*	820*	820*	820*	820	820
100pF		101*	101*	101*	101*	101*	101	101
120pF		121*	121*	121*	121*	121*	121	121
150pF		151*	151*	151*	151*	151*	151	151
180pF		181*	181*	181*	181*	181*	181	181
220pF		221*	221*	221*	221*	221*	221	221
270pF		271*	271*	271*	271*	271*	271	271
330pF		331*	331*	331*	331*	331*	331	331
390pF		391*	391*	391*	391*	391*	391	391
470pF		471*	471*	471*	471*	471*	471	471
560pF		561*	561*	561*	561*	561*	561	561
680pF		681*	681*	681*	681*	681*	681	681
820pF		821*	821*	821*	821*	821*	821	821
1000pF		102*	102*	102*	102*	102*	102	102
1200pF		122*	122*	122*	122*	122*	122	122
1500pF		152*	152*	152*	152*	152*	152	152
1800pF		182*	182*	182*	182*	182*	182	182
2200pF		222*	222*	222*	222*	222*	222	222
2700pF		272*	272*	272*	272*	272*	272	272
3300pF		332*	332*	332*	332*	332*	332	332
3900pF		392*	392*	392*	392*	392*	392	392
4700pF		472*	472*	472*	472*	472*	472	472
5600pF		562*	562*	562*	562*	562*	562	562
6800pF		682*	682*	682*	682*	682*	682	682
8200pF		822*	822*	822*	822*	822	822	822
0.01µF		103*	103*	103*	103*	103	103	103
0.012µF		123*	123*	123*	123*	123	123	123
0.015µF		153*	153*	153*	153*	153		
0.018µF		183*	183*	183*	183*	183		
0.022µF		223*	223*	223*	223*			
0.027µF		273*	273*	273*	273*			
0.033µF		333*	333*	333*	333*			
0.039µF		393*	393*	393*	393*			
0.047µF		473*	473*	473*	473			
0.056µF	563*	563*	563*	563				
0.068µF	683*	683*	683*	683				
0.082µF	823*	823*	823					
0.1µF	104*	104*	104					
0.12µF	124*	124	124					
0.15µF	154*	154	154					
0.18µF	184	184						
0.22µF	224	224						
0.27µF	274	274						
0.33µF	334	334						
0.39µF	394							
Rated Voltage (VDC)		500	630	1000	1500	2000	2500	3000
Voltage Code		C	B	D	F	G	Z	H

* Capacitor is supplied with a "Shoulder-Bend" lead configuration in Style/Size C330 and C331.

Table 1D – C33X Style/Size, Capacitance Range Waterfall cont'd

C330, C331, C333, C335, C336, Style/Size (0.200" and 0.250" Lead Spacing)								
Rated Voltage (VDC)		500	630	1000	1500	2000	2500	3000
Voltage Code		C	B	D	F	G	Z	H
Capacitance	Capacitance Tolerance	Capacitance Code (Available Capacitance)						
		0.47µF	474					
0.50µF		504						
Rated Voltage (VDC)		500	630	1000	1500	2000	2500	3000
Voltage Code		C	B	D	F	G	Z	H

* Capacitor is supplied with a "Shoulder-Bend" lead configuration in Style/Size C330 and C331.

Table 1E – C34X Style/Size, Capacitance Range Waterfall

C340, C346 Style/Size (0.200" Lead Spacing)								
Rated Voltage (VDC)		500	630	1000	1500	2000	2500	3000
Voltage Code		C	B	D	F	G	Z	H
Capacitance	Capacitance Tolerance	Capacitance Code (Available Capacitance)						
		10pF	J = ±5% K = ±10% M = ±20%	100*	100*	100*	100*	100*
12pF	120*	120*		120*	120*	120*	120	120
15pF	150*	150*		150*	150*	150*	150	150
18pF	180*	180*		180*	180*	180*	180	180
22pF	220*	220*		220*	220*	220*	220	220
27pF	270*	270*		270*	270*	270*	270	270
33pF	330*	330*		330*	330*	330*	330	330
39pF	390*	390*		390*	390*	390*	390	390
47pF	470*	470*		470*	470*	470*	470	470
56pF	560*	560*		560*	560*	560*	560	560
68pF	680*	680*		680*	680*	680*	680	680
82pF	820*	820*		820*	820*	820*	820	820
100pF	101*	101*		101*	101*	101*	101	101
120pF	121*	121*		121*	121*	121*	121	121
150pF	151*	151*		151*	151*	151*	151	151
180pF	181*	181*		181*	181*	181*	181	181
220pF	221*	221*		221*	221*	221*	221	221
270pF	271*	271*		271*	271*	271*	271	271
330pF	331*	331*		331*	331*	331*	331	331
390pF	391*	391*		391*	391*	391*	391	391
470pF	471*	471*		471*	471*	471*	471	471
560pF	561*	561*		561*	561*	561*	561	561
680pF	681*	681*		681*	681*	681*	681	681
820pF	821*	821*		821*	821*	821*	821	821
1000pF	102*	102*		102*	102*	102*	102	102
1200pF	122*	122*		122*	122*	122*	122	122
1500pF	152*	152*		152*	152*	152*	152	152
1800pF	182*	182*		182*	182*	182*	182	182
2200pF	222*	222*		222*	222*	222*	222	222
2700pF	272*	272*		272*	272*	272*	272	272
3300pF	332*	332*	332*	332*	332*	332	332	
3900pF	392*	392*	392*	392*	392*	392	392	
4700pF	472*	472*	472*	472*	472*	472	472	
5600pF	562*	562*	562*	562*	562*	562	562	
6800pF	682*	682*	682*	682*	682*	682	682	
8200pF	822*	822*	822*	822*	822	822	822	
Rated Voltage (VDC)		500	630	1000	1500	2000	2500	3000
Voltage Code		C	B	D	F	G	Z	H

* Capacitor is supplied with a "Shoulder-Bend" lead configuration in Style/Size C340.

Table 1E – C34X Style/Size, Capacitance Range Waterfall cont'd

C340, C346 Style/Size (0.200" Lead Spacing)								
Rated Voltage (VDC)		500	630	1000	1500	2000	2500	3000
Voltage Code		C	B	D	F	G	Z	H
Capacitance	Capacitance Tolerance	Capacitance Code (Available Capacitance)						
0.01µF	J = ±5% K = ±10% M = ±20%	103*	103*	103*	103*	103	103	103
0.012µF		123*	123*	123*	123*	123	123	123
0.015µF		153*	153*	153*	153*	153		
0.018µF		183*	183*	183*	183*	183		
0.022µF		223*	223*	223*	223*			
0.027µF		273*	273*	273*	273*			
0.033µF		333*	333*	333*	333*			
0.039µF		393*	393*	393*	393*			
0.047µF		473*	473*	473*	473			
0.056µF		563*	563*	563*	563			
0.068µF		683*	683*	683*	683			
0.082µF		823*	823*	823				
0.1µF		104*	104*	104				
0.12µF		124*	124	124				
0.15µF		154*	154	154				
0.18µF		184	184					
0.22µF		224	224					
0.27µF		274	274					
0.33µF		334	334					
0.39µF		394						
0.47µF	474							
0.50µF	504							
Rated Voltage (VDC)		500	630	1000	1500	2000	2500	3000
Voltage Code		C	B	D	F	G	Z	H

* Capacitor is supplied with a "Shoulder-Bend" lead configuration in Style/Size C340.

Table 1F – C35X Style/Size, Capacitance Range Waterfall

C350, C356 Style/Size (0.400" Lead Spacing)								
Rated Voltage (VDC)		500	630	1000	1500	2000	2500	3000
Voltage Code		C	B	D	F	G	Z	H
Capacitance	Capacitance Tolerance	Capacitance Code (Available Capacitance)						
100pF	J = ±5% K = ±10% M = ±20%	101	101	101	101	101	101	101
120pF		121	121	121	121	121	121	121
150pF		151	151	151	151	151	151	151
180pF		181	181	181	181	181	181	181
220pF		221	221	221	221	221	221	221
270pF		271	271	271	271	271	271	271
330pF		331	331	331	331	331	331	331
390pF		391	391	391	391	391	391	391
470pF		471	471	471	471	471	471	471
560pF		561	561	561	561	561	561	561
680pF		681	681	681	681	681	681	681
820pF		821	821	821	821	821	821	821
1000pF		102	102	102	102	102	102	102
1200pF		122	122	122	122	122	122	122
1500pF		152	152	152	152	152	152	152
1800pF		182	182	182	182	182	182	182
2200pF		222	222	222	222	222	222	222
2700pF		272	272	272	272	272	272	272
3300pF		332	332	332	332	332	332	332
3900pF		392	392	392	392	392	392	392
4700pF		472	472	472	472	472	472	472
5600pF		562	562	562	562	562	562	562
6800pF		682	682	682	682	682	682	682
8200pF		822	822	822	822	822	822	822
0.01µF		103	103	103	103	103	103	103
0.012µF		123	123	123	123	123	123	123
0.015µF		153	153	153	153	153	153	153
0.018µF		183	183	183	183	183	183	
0.022µF		223	223	223	223	223	223	
0.027µF		273	273	273	273	273	273	
0.033µF		333	333	333	333	333		
0.039µF		393	393	393	393	393		
0.047µF		473	473	473	473	473		
0.056µF		563	563	563	563	563		
0.068µF		683	683	683	683	683		
0.082µF		823	823	823	823	823		
0.1µF		104	104	104	104	104		
0.12µF		124	124	124				
0.15µF		154	154	154				
0.18µF		184	184					
0.22µF		224	224					
0.27µF		274	274					
0.33µF		334	334					
0.39µF		394	394					
0.47µF		474	474					
0.56µF	564							
Rated Voltage (VDC)		500	630	1000	1500	2000	2500	3000
Voltage Code		C	B	D	F	G	Z	H

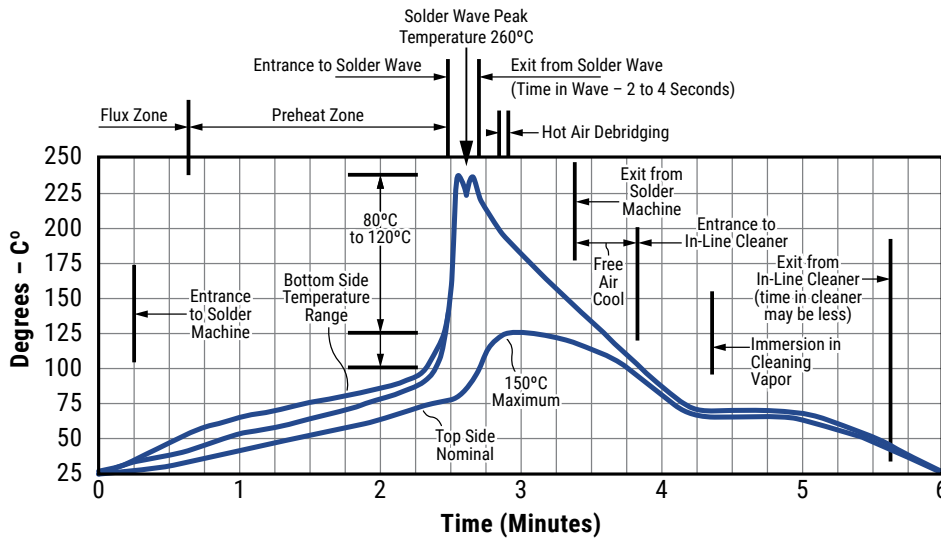
Soldering Process

Recommended Soldering Methods:

- Solder Wave
- Hand Soldering (Manual)

Recommended Soldering Profile:

- Optimum Wave Solder Profile



Mounting

All encased capacitors will pass the Resistance to Soldering Heat of MIL-STD-202, Method 210, Condition C. This test simulates wave solder topside board mount product. This demonstration of resistance to solder heat is in accordance with what is believed to be the industry standard. More severe treatment must be considered reflective of an improper soldering process.

The above figure is a recommended solder wave profile for both axial and radial leaded ceramic capacitors.

- Hand Soldering (Manual)

Manual Solder Profile with Pre-heating

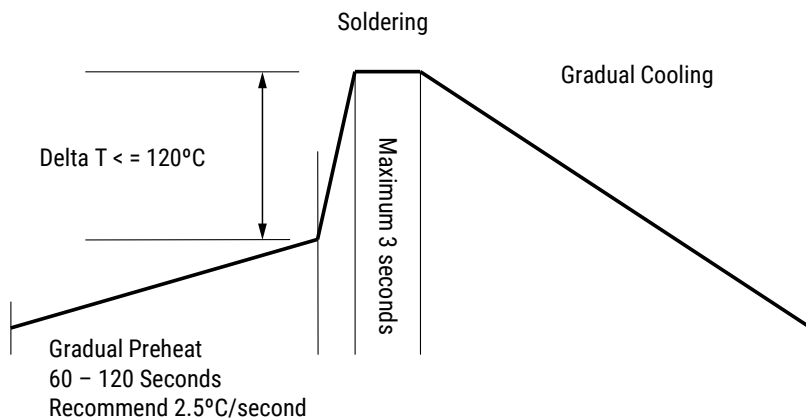


Table 2 – Performance & Reliability: Test Methods and Conditions

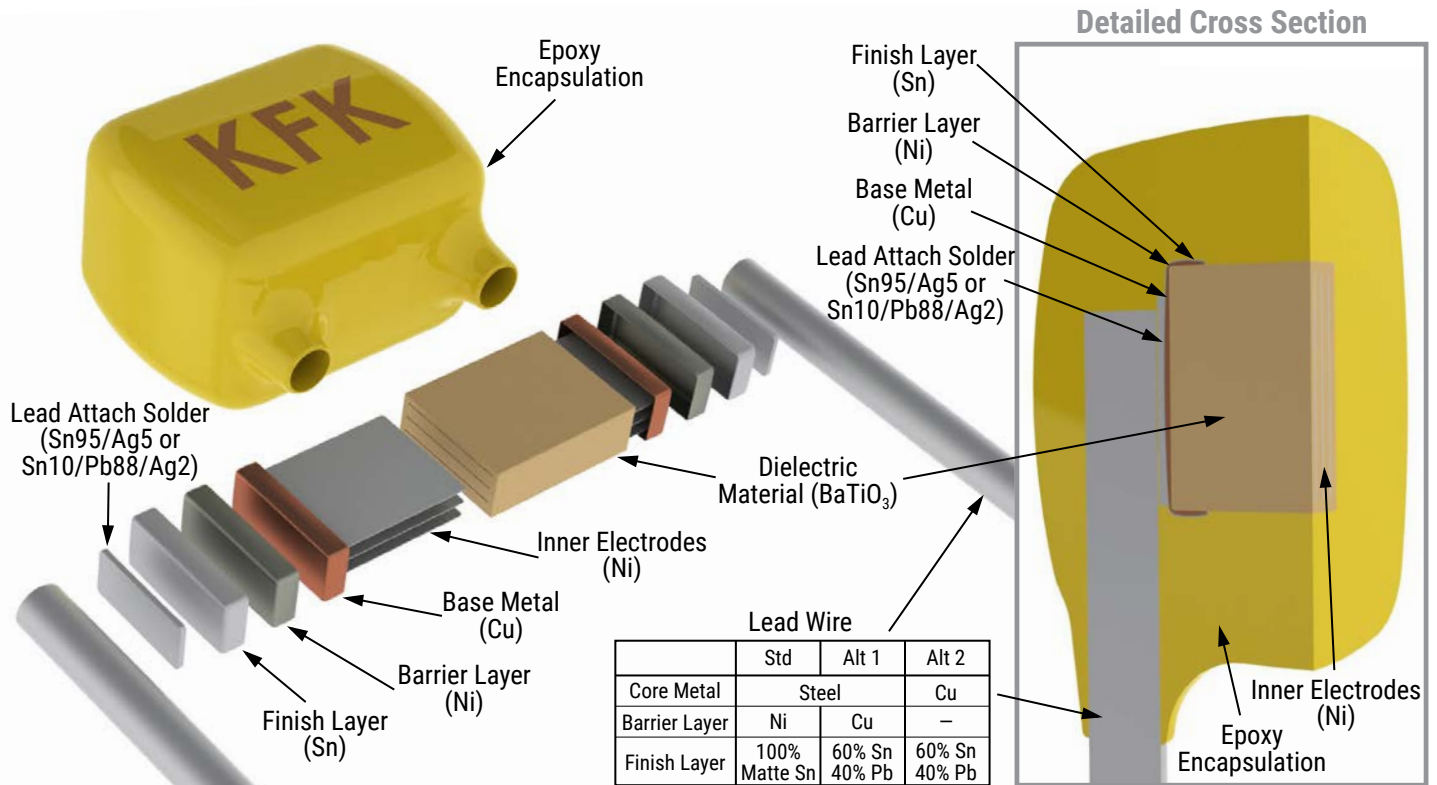
Stress	Reference	Test or Inspection Method
Solderability	J-STD-002	Magnification 50X. Conditions: a) Method A, at 235°C, Category 3
Temperature Cycling	JESD22 Method JA-104	1,000 cycles (-55°C to +125°C), measurement at 24 hours +/-4 hours after test conclusion.
Biased Humidity	MIL-STD-202 Method 103	Load humidity, 1,000 hours 85°C/85%RH and 200Vdc maximum. Add 100 K ohm resistor. Measurement at 24 hours +/-4 hours after test conclusion.
		Low volt humidity, 1,000 hours 85°C/85%RH and 1.5 V. Add 100 K ohm resistor. Measurement at 24 hours +/-4 hours after test conclusion.
Moisture Resistance	MIL-STD-202 Method 106	t = 24 hours/cycle. Steps 7a and 7b not required. Unpowered. Measurement at 24 hours +/-4 hours after test conclusion.
Thermal Shock	MIL-STD-202 Method 107	-55°C to +125°C. Note: Number of cycles required – 300. Maximum transfer time – 20 seconds. Dwell time – 15 minutes. Air – Air.
High Temperature Life	MIL-STD-202 Method 108/EIA-198	1,000 hours at 125°C with 1.2 X rated voltage applied.
Storage Life	MIL-STD-202 Method 108	125°C, 0 VDC for 1,000 hours.
Vibration	MIL-STD-202 Method 204	5 g for 20 minutes, 12 cycles each of 3 orientations. Note: Use 8"X5" PCB .031" thick 7 secure points on one long side and 2 secure points at corners of opposite sides. Parts mounted within 2" from any secure point. Test from 10 – 2000 Hz.
Resistance to Soldering Heat	MIL-STD-202 Method 210	Condition B. No preheat of samples. Note: single wave solder – procedure 2.
Terminal Strength	MIL-STD-202 Method 211	Conditions A (454g), Condition C (227g)
Mechanical Shock	MIL-STD-202 Method 213	Figure 1 of Method 213, Condition C.
Resistance to Solvents	MIL-STD-202 Method 215	Add aqueous wash chemical – OKEM Clean or equivalent.

Storage & Handling

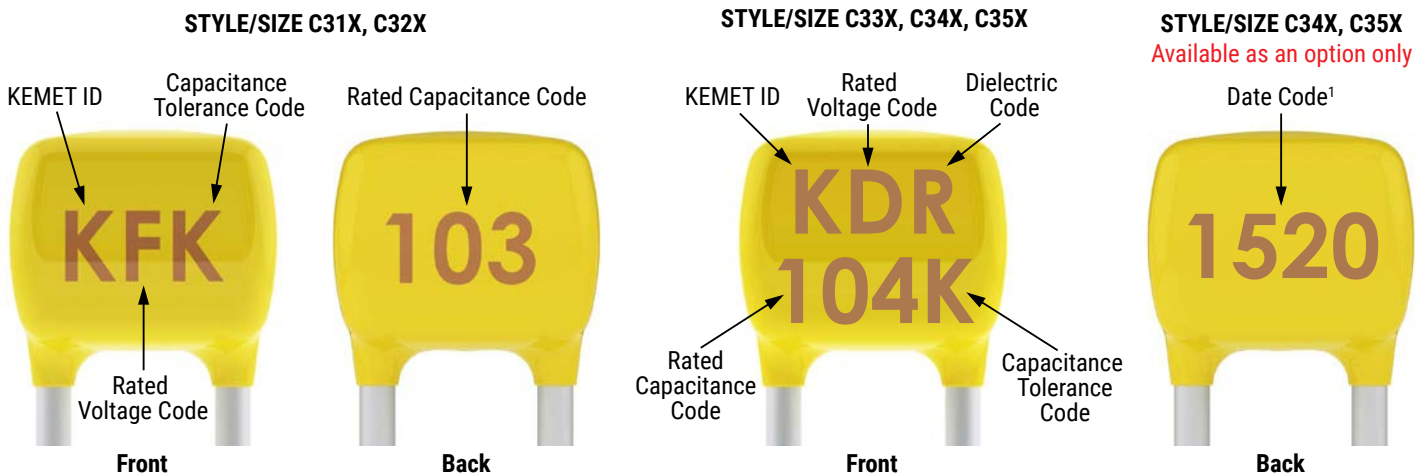
The un-mounted storage life of a leaded ceramic capacitor is dependent upon storage and atmospheric conditions as well as packaging materials. While the ceramic chips enveloped under the epoxy coating themselves are quite robust in most environments, solderability of the wire lead on the final epoxy-coated product will be degraded by exposure to high temperatures, high humidity, corrosive atmospheres, and long term storage. In addition, packaging materials will be degraded by high temperature and exposure to direct sunlight – reels may soften or warp, and tape peel force may increase.

KEMET recommends storing the un-mounted capacitors in their original packaging, in a location away from direct sunlight, and where the temperature and relative humidity do not exceed 40 degrees centigrade and 70% respectively. For optimum solderability, capacitor stock should be used promptly, preferably within 18 months of receipt. For applications requiring pre-tinning of components, storage life may be extended if solderability is verified. Before cleaning, bonding or molding these devices, it is important to verify that your process does not affect product quality and performance. KEMET recommends testing and evaluating the performance of a cleaned, bonded or molded product prior to implementing and/or qualifying any of these processes.

Construction



Marking



¹ To properly request the inclusion of the date code in the marking information provided on the component, ordering code C-SPEC 9207 must be added to the end of the ordering code.

Date Code	
15	20
Manufacturing Year: 15 = 2015	Manufacturing Week: 20 = Week 20 (of mfg. calendar year)

Packaging Quantities

Style/ Size	Standard Bulk Quantity	Ammo Pack Quantity Maximum	Reel Quantity Maximum (12" Reel)
315	500/Bag	2500	2500
316			
317			
318			
320			
321		N/A	N/A
322		2500	2500
323			
324			
325			
326			
327			
328	250/Bag	1500	1500
330		N/A	N/A
331		1500	
333		1500	
335		1500	
336	100/Bag	1000	1000
340			
346	50/Bag	N/A	500
350			
356			

Tape & Reel Packaging Information

KEMET offers standard reeling of Molded and Conformally Coated Radial Leaded Capacitors in accordance with EIA standard 468. Parts are taped to a tagboard carrier strip, and wound on a reel as shown in Figure 1. Kraft paper interleaving is inserted between the layers of capacitors on the reel. Ammopack is also available, with the same lead tape configuration and package quantities.

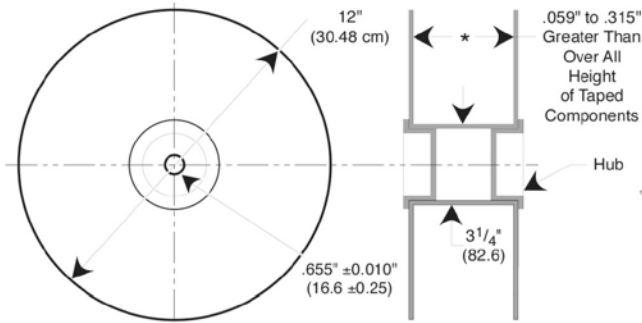


Figure 3: Standard Reel

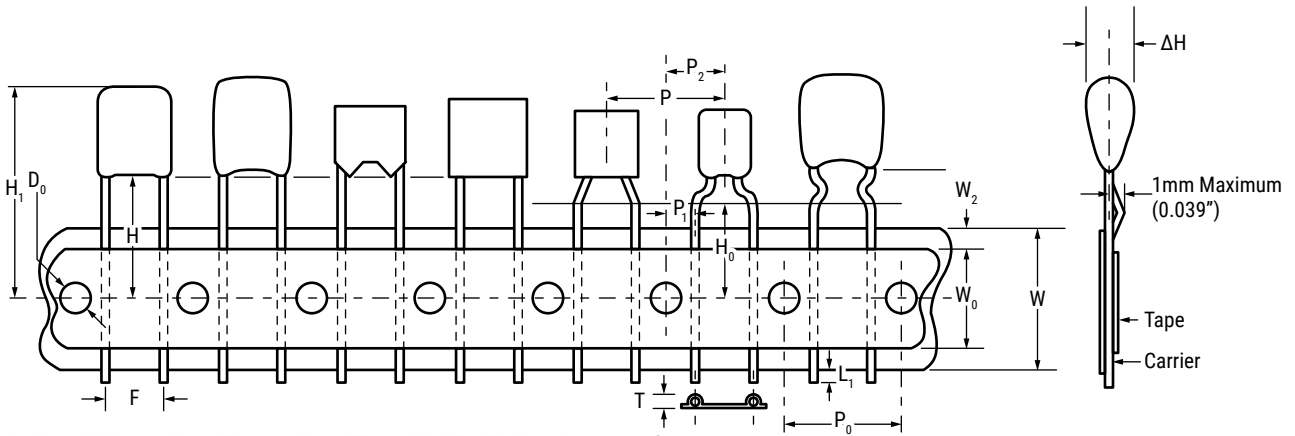
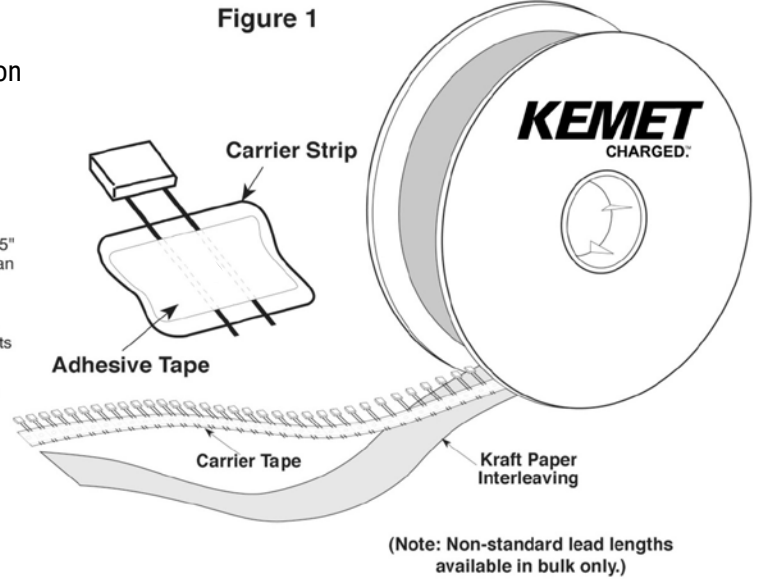


Figure 2: Lead Tape Configuration (See Table Below)

Ceramic Radial Tape and Reel Dimensions

Metric will govern

Constant Dimensions – Millimeters (Inches)								
D_0 ±0.2 (0.008)	P_0 ±0.3 (0.012)	ΔH ±0.2 (0.008)	L_1 Maximum	t ±0.2 (0.008)	T Maximum	W +1.0/-0.5 (+0.039/-0.020)	W_0 Minimum	W_2 Maximum
4.00 (0.157)	12.7 (0.500)	4.0 (0.157)	1.0 (0.039)	0.7 (0.051)	1.5 (0.059)	18.0 (0.709)	5.0 (0.197)	3.0 (0.118)

Ceramic Radial Tape and Reel Dimensions cont'd

Metric will govern

Variable Dimensions – Millimeters (Inches)									
F ±0.78 (0.030) ¹	P ₁ ±0.30 (0.012) ¹	P ±0.3 (0.012)	P ₂ ±1.3 (0.51)	H		H ₀			
				Straight Lead Configuration		Formed Lead Configuration ²			
				Packaging C-Spec ³					
				7301/7305	7303/7317	7301/7305	7303/7317		
2.54 (0.100)	5.08 (0.200)	12.7 (0.500)	6.35 (0.250)	16.0±0.5 (0.630±0.020)	18.0 (0.709) Minimum	16.0±0.5 (0.630±0.020)	18.0 (0.709) Minimum		
4.32 (0.170)	3.89 (0.153)	12.7 (0.500)	6.35 (0.250)						
5.08 (0.200)	3.81 (0.150)	12.7 (0.500)	6.35 (0.250)						
5.59 (0.220)	3.25 (0.128)	12.7 (0.500)	6.35 (0.250)						
6.98 (0.275)	2.54 (0.100)	12.7 (0.500)	6.35 (0.250)						
7.62 (0.300)	2.24 (0.088)	12.7 (0.500)	6.35 (0.250)						
9.52 (0.375)	7.62 (0.300)	12.7 (0.500)	6.35 (0.250)						
10.16 (0.400)	7.34 (0.290)	25.4 (1.000)	N/A						
12.06 (0.475)	6.35 (0.250)	25.4 (1.000)	N/A						
14.60 (0.575)	5.08 (0.200)	25.4 (1.000)	N/A						
17.14 (0.675)	3.81 (0.15)	25.4 (1.000)	N/A						

¹ Measured at the egress from the carrier tape, on the component side.

² Formed lead configuration includes: "shoulder bend", "inside kink", "outside kink", and "snap-in". For more information regarding available lead configurations see "Dimensions" section of this document.

³ The "Packaging C-Spec" is a 4 digit code which identifies the packaging type, lead length and/or lead material. When ordering, the proper code must be included in the 15th through 18th character positions of the ordering code. See "Ordering Information" section of this document for further details.

Symbol Reference Table	
D ₀	Sprocket Hole Diameter
P ₀	Sprocket Hole Pitch
P	Component Pitch
F	Lead Spacing
P ₁	Sprocket Hole Center to Lead Center
P ₂	Sprocket Hole Center To Component Center
H	Height to Seating Plane (Straight Leads Only)
H ₀	Height to Seating Plane (Formed Leads Only)
H ₁	Component Height Above Tape Center
ΔH	Component Alignment
L ₁	Lead Protrusion
t	Composite Tape Thickness
W	Carrier Tape Width
W ₀	Hold-Down Tape Width
W ₂	Hold-Down Tape Location

KEMET Electronic Corporation Sales Offices

For a complete list of our global sales offices, please visit www.kemet.com/sales.

Disclaimer

All product specifications, statements, information and data (collectively, the "Information") in this datasheet are subject to change. The customer is responsible for checking and verifying the extent to which the Information contained in this publication is applicable to an order at the time the order is placed.

All Information given herein is believed to be accurate and reliable, but it is presented without guarantee, warranty, or responsibility of any kind, expressed or implied.

Statements of suitability for certain applications are based on KEMET Electronics Corporation's ("KEMET") knowledge of typical operating conditions for such applications, but are not intended to constitute – and KEMET specifically disclaims – any warranty concerning suitability for a specific customer application or use. The Information is intended for use only by customers who have the requisite experience and capability to determine the correct products for their application. Any technical advice inferred from this Information or otherwise provided by KEMET with reference to the use of KEMET's products is given gratis, and KEMET assumes no obligation or liability for the advice given or results obtained.

Although KEMET designs and manufactures its products to the most stringent quality and safety standards, given the current state of the art, isolated component failures may still occur. Accordingly, customer applications which require a high degree of reliability or safety should employ suitable designs or other safeguards (such as installation of protective circuitry or redundancies) in order to ensure that the failure of an electrical component does not result in a risk of personal injury or property damage.

Although all product-related warnings, cautions and notes must be observed, the customer should not assume that all safety measures are indicated or that other measures may not be required.

Looking for pricing, stock, or lifecycle information?

Click below to explore more details on WIN SOURCE:

 [View C330C183KGR5TA on WIN SOURCE](#)

 [Kemet Information](#)

Optimize Your Supply Chain with WIN SOURCE Solutions

-  Global Sourcing Solution
-  Obsolete Management
-  Cost Control Management
-  Shortage Management
-  Alternative Solution
-  Excess Inventory Management