



**THE DATASHEET OF
MAX13256ATB+T**



MAX13256

36V H-Bridge Transformer Driver for Isolated Supplies

General Description

The MAX13256 H-bridge transformer driver provides a simple solution for making isolated power supplies up to 10W. The device drives a transformer's primary coil with up to 300mA of current from a wide 8V to 36V DC supply. The transformer's secondary-to-primary winding ratio defines the output voltage, allowing selection of virtually any isolated output voltage.

The device features adjustable current limiting, allowing indirect limiting of secondary-side load currents. The current limit of the MAX13256 is set by an external resistor. A $\overline{\text{FAULT}}$ output asserts when the device detects an overtemperature or overcurrent condition. In addition, the device features a low-power mode to reduce the overall supply current to 0.65mA (typ) when the driver is not in use.

The device can be operated using the internal oscillator or driven by an external clock to synchronize multiple MAX13256 devices and precisely set the switching frequency. Internal circuitry guarantees a fixed 50% duty cycle to prevent DC current flow through the transformer, regardless of which clock source is used.

The device is available in a small 10-pin (3mm x 3mm) TDFN package and is specified over the -40°C to +125°C automotive temperature range.

Applications

- Power Meters
- Isolated Fieldbus Interfaces
- 24V PLC Supply Isolation
- Medical Equipment
- Motor Controls

Benefits and Features

- Simple, Flexible Design
 - 8V to 36V Supply Range
 - Up to 90% Efficiency
 - Provides Up to 10W to the Transformer
 - Undervoltage Lockout
 - 2.5V to 5V Compatible Logic Interface
 - Internal or External Clock Source
 - Adjustable Overcurrent Threshold
- Integrated System Protection
 - Fault Detection and Indication
 - Overcurrent Limiting
 - Overtemperature Protection
- Saves Space on Board
 - Small 10-Pin TDFN Package (3mm x 3mm)

Typical Operating Circuit

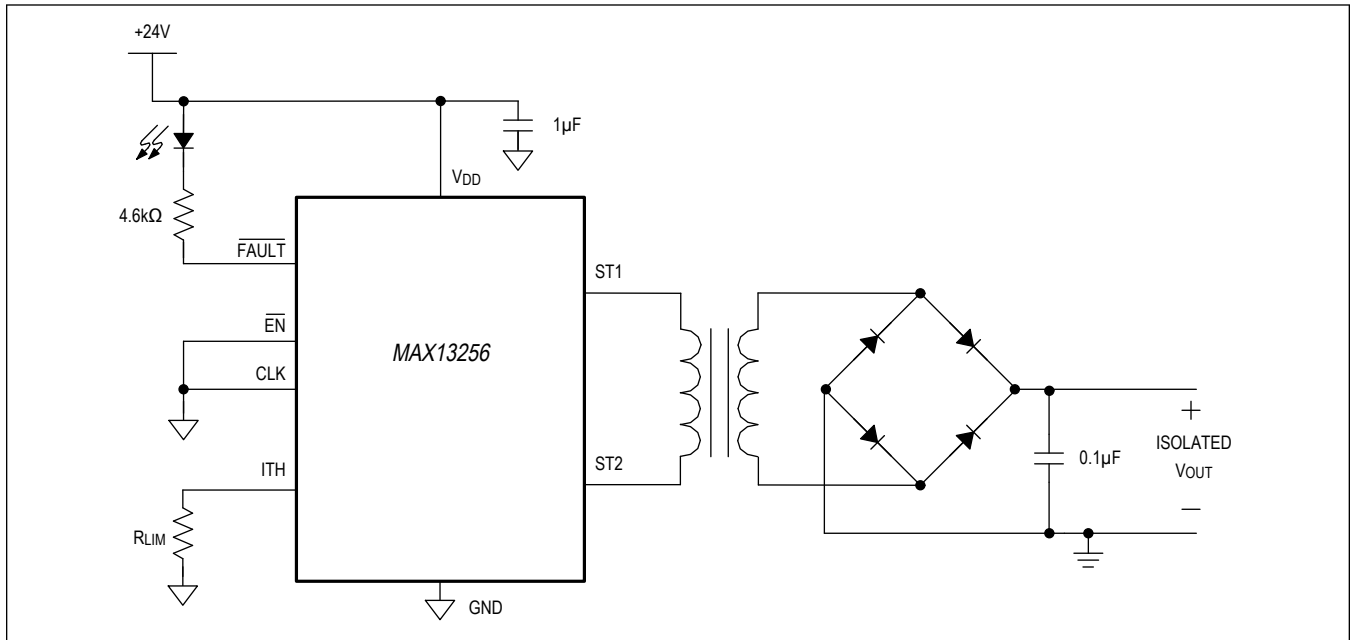


TABLE OF CONTENTS

General Description	1
Applications	1
Benefits and Features	1
Typical Operating Circuit	2
Absolute Maximum Ratings	7
Package Information	7
10 TDFN-EP	7
Electrical Characteristics	7
Typical Operating Characteristics	10
Pin Configuration	12
MAX13256	12
Pin Description	12
Functional Diagram	13
MAX13256	13
Detailed Description	14
Isolated Power Supply	14
Clock Source	14
Internal Oscillator Mode	14
External Clock Mode	14
Watchdog	14
Transients on ST1/ST2 During t_{DEAD}	14
Disable Mode	14
Power-Up and Undervoltage Lockout	14
Overcurrent Limiting	15
FAULT Output	15
Thermal Shutdown	15
Applications Information	17
Snubber	17
Power Dissipation	17
High-Temperature Operation	17
Hot Insertion	17
Output-Ripple Filtering	17
Power-Supply Decoupling	17
Output-Voltage Regulation	17
Isolated DAC/ADC Interface for Industrial Process Control	18
Isolated RS-485/RS-232 Data Interfaces	20
PCB Layout Guidelines	20
Exposed Pad	20
Component Selection	21

TABLE OF CONTENTS (CONTINUED)

Transformer Selection	21
Low-Voltage Operation	21
Diode Selection	22
Capacitor Selection	22
Input Bypass Capacitor	22
Output Filter Capacitor	22
Suggested External Component Manufacturers	22
Ordering Information	22
Revision History	23

LIST OF FIGURES

Figure 1. Test Circuits (A and B) and Timing Diagram (C) for Rise, Fall, and Dead Times	9
Figure 2. Timing Diagram for Current Limiting	9
Figure 3. Secondary-Side Rectification Topologies	16
Figure 4. Output Snubber	16
Figure 5. Output Ripple Filtering	16
Figure 6. +24V to Isolated, Regulated +3.3V	18
Figure 7. +24V to Isolated, Regulated +12V	18
Figure 8. +24V to Isolated, Regulated $\pm 15V$	19
Figure 9. Isolated Power Supply for Industrial Control Applications	20

LIST OF TABLES

Table 1. Component Manufacturers 22

Absolute Maximum Ratings

(Voltages referenced to GND.)		TDFN (Single-Layer Board) (derate 18.5mW/°C above +70°C)	1481.5mW
V _{DD} , FAULT	-0.3V to +40V	Operating Temperature Range	-40°C to +125°C
ST1, ST2	-0.3V to (V _{DD} + 0.3V)	Junction Temperature	+150°C
CLK, ITH, EN	-0.3V to +6V	Storage Temperature Range	-65°C to +150°C
FAULT Continuous Current	±50mA	Lead Temperature (soldering, 10s)	+300°C
ST1, ST2 Continuous Current	±850mA	Soldering Temperature (reflow)	+260°C
Continuous Power Dissipation (T _A = +70°C)			
TDFN (Four-Layer Board) (derate 24.4mW/°C above +70°C)	1951.2mW		

Stresses beyond those listed under "Absolute Maximum Ratings" may cause permanent damage to the device. These are stress ratings only, and functional operation of the device at these or any other conditions beyond those indicated in the operational sections of the specifications is not implied. Exposure to absolute maximum rating conditions for extended periods may affect device reliability.

Package Information

10 TDFN-EP

Package Code	T1033+1
Outline Number	21-0137
Land Pattern Number	90-0003
Thermal Resistance, Single Layer Board:	
Junction-to-Ambient (θ _{JA})	54°C/W
Junction-to-Case Thermal Resistance (θ _{JC})	9°C/W
Thermal Resistance, Four Layer Board:	
Junction-to-Ambient (θ _{JA})	41°C/W
Junction-to-Case Thermal Resistance (θ _{JC})	9°C/W

For the latest package outline information and land patterns (footprints), go to www.maximintegrated.com/packages. Note that a "+", "#", or "-" in the package code indicates RoHS status only. Package drawings may show a different suffix character, but the drawing pertains to the package regardless of RoHS status.

Note 1: Package thermal resistances were obtained using the method described in JEDEC specification JESD51-7, using a four-layer board. For detailed information on package thermal considerations, refer to www.maximintegrated.com/thermal-tutorial.

Electrical Characteristics

(V_{DD} = 8V to 36V, V_{EN} = 0V, T_A = -40°C to +125°C, unless otherwise noted. Typical values are at T_A = +25°C.) ([Note 1](#))

PARAMETER	SYMBOL	CONDITIONS	MIN	TYP	MAX	UNITS
DC CHARACTERISTICS						
Supply Voltage Range	V _{DD}	(Note 2)	8		36	V
Supply Current	I _{DD}	V _{EN} = 0V, V _{CLK} = 0V, R _{LIM} = 1000Ω, ST1/ST2 not connected		6	9	mA
Disable Supply Current	I _{DIS}	V _{EN} = 3.3V, V _{CLK} = 0V		0.65	1.1	mA
Driver Output Resistance	R _{OH}	ST1 = ST2 = high, I _{ST1} , I _{ST2} = +300mA, R _{LIM} = 1000Ω		1	1.5	Ω
	R _{OL}	ST1 = ST2 = low, I _{ST1} , I _{ST2} = -300mA, R _{LIM} = 1000Ω		0.6	1.0	
Undervoltage-Lockout Threshold	V _{UVLO}	V _{DD} rising	5.9	6.3	6.9	V

Electrical Characteristics (continued)(V_{DD} = 8V to 36V, V_{EN} = 0V, T_A = -40°C to +125°C, unless otherwise noted. Typical values are at T_A = +25°C.) ([Note 1](#))

PARAMETER	SYMBOL	CONDITIONS	MIN	TYP	MAX	UNITS
Undervoltage-Lockout Threshold Hysteresis	V _{UVLO_HYST}			300		mV
ST1, ST2 Current Limit	I _{LIM}	R _{LIM} = 1000Ω	500	650	800	mA
		R _{LIM} = 3010Ω	165	215	265	
ST1, ST2 Leakage Current	I _{LKG}	V _{EN} = 3.3V, V _{CLK} = 0V, V _{ST1} = V _{ST2} = 0V or (V _{DD} - 1V)	-1		+1	μA
LOGIC SIGNALS (CLK, EN, FAULT)						
Input Logic-High Voltage	V _{IH}		2			V
Input Logic-Low Voltage	V _{IL}				0.8	V
Input Leakage Current	I _{IL}	V _{CLK} = V _{EN} = 5.5V or 0V	-1		+1	μA
FAULT Output Logic-Low Voltage	V _{OL}	I _{FAULT} = 10mA			1	V
FAULT Leakage Current	I _{LKGF}	V _{FAULT} = 36V, FAULT deasserted			10	μA
AC CHARACTERISTICS						
Switching Frequency	f _{SW}	V _{CLK} = 0V, measured at ST1/ST2 outputs	255	425	700	kHz
CLK Input Frequency	f _{EXT}	External clocking	200		2000	kHz
ST1/ST2 Duty Cycle	D _{TC}	Internal or external clocking	49	50	51	%
ST1/ST2 Rise Time	t _{RISE}	ST1/ ST2 = 20% to 80% of V _{DD} , R _L = 1kΩ, C _L = 50pF, Figure 1			100	ns
ST1/ST2 Fall Time	t _{FALL}	ST1/ST2 = 80% to 20% of V _{DD} , R _L = 1kΩ, C _L = 50pF, Figure 1			100	ns
Crossover Dead Time	t _{DEAD}	R _L = 200Ω, Figure 1		30		ns
Watchdog Timeout	t _{WDOG}	(Note 3)	20	32	55	μs
Current-Limit Blanking Time	t _{BLANK}	Figure 2	0.73	1.2	2.0	ms
Current-Limit Autoretry Time	t _{RETRY}	Figure 2	23.4	38.4	64.0	ms
PROTECTION						
Thermal-Shutdown Threshold	T _{SHDN}			+160		°C
Thermal-Shutdown Hysteresis	T _{SHDN_HYS}			10		°C

Note 1: All units are production tested at T_A = +25°C. Specifications over temperature are guaranteed by design.**Note 2:** If V_{DD} is greater than 27V, see the [Snubber](#) section.**Note 3:** See the [Watchdog](#) section.

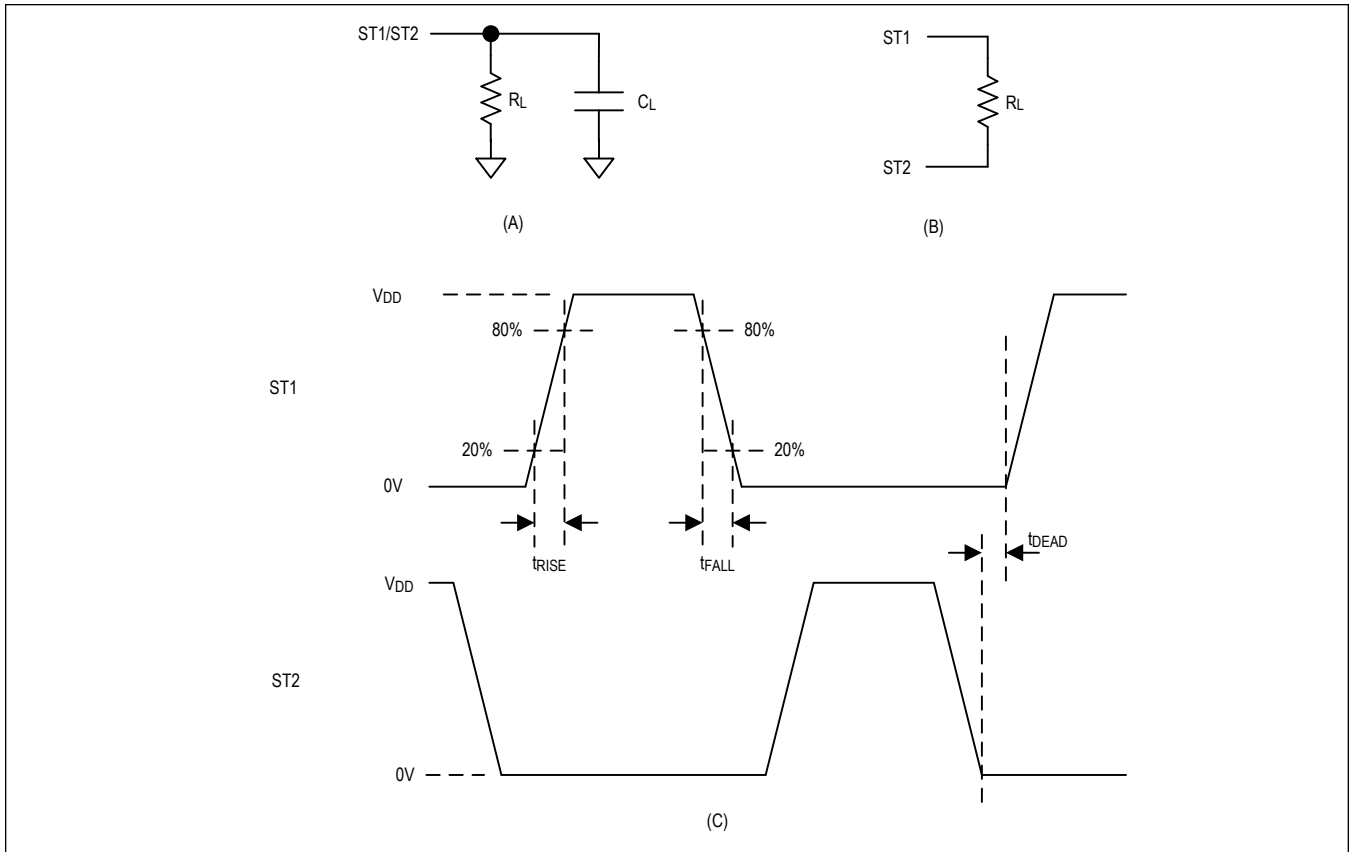


Figure 1. Test Circuits (A and B) and Timing Diagram (C) for Rise, Fall, and Dead Times

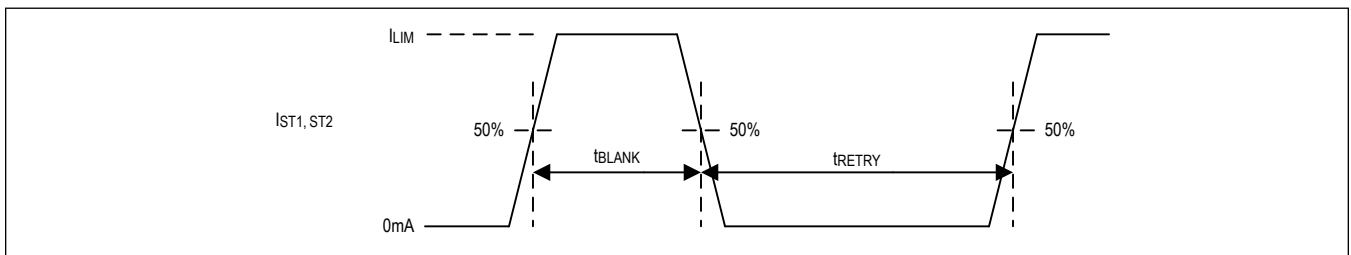
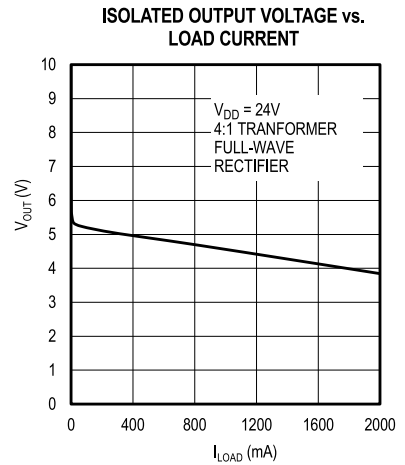
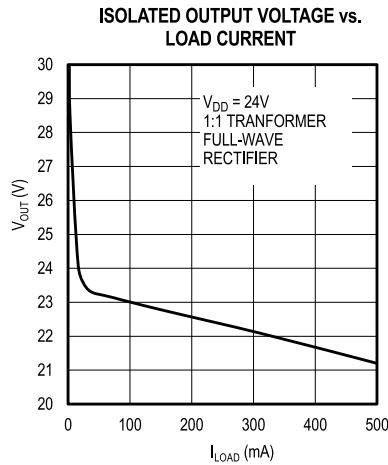
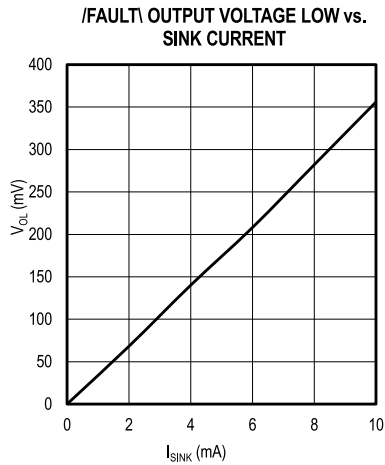
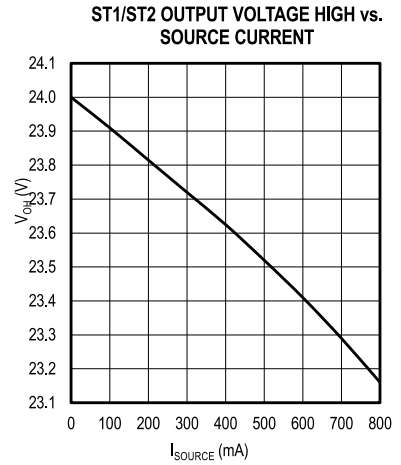
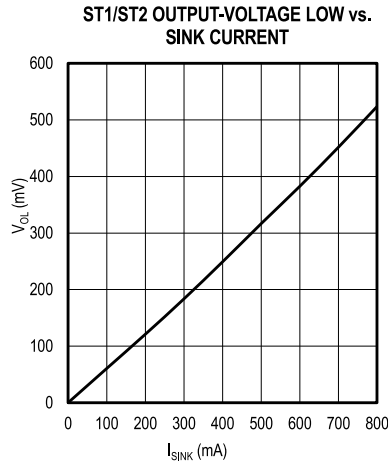
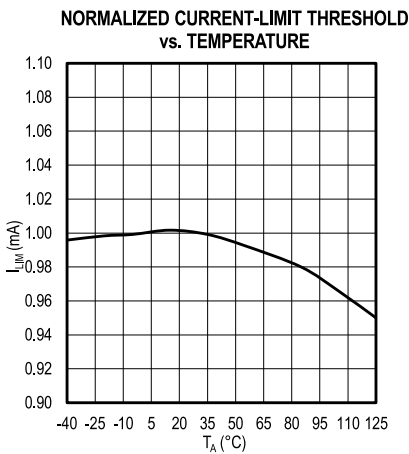
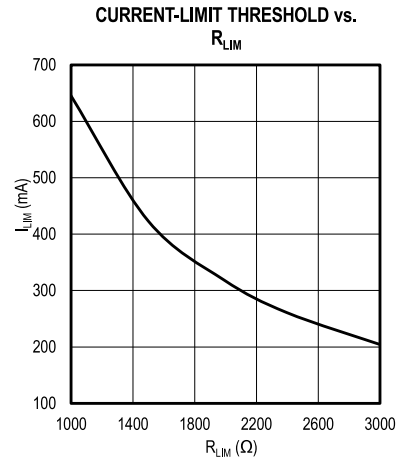
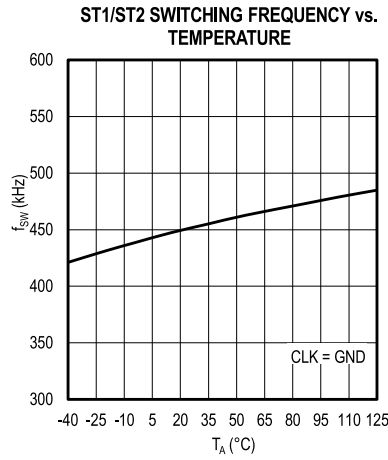
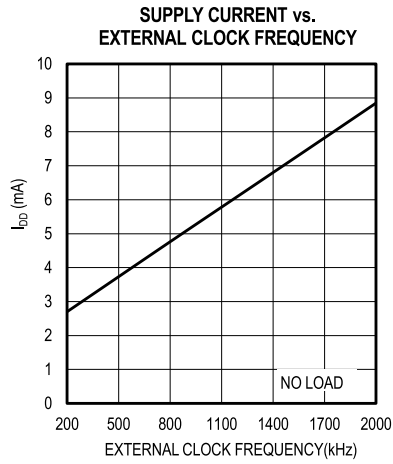


Figure 2. Timing Diagram for Current Limiting

Typical Operating Characteristics

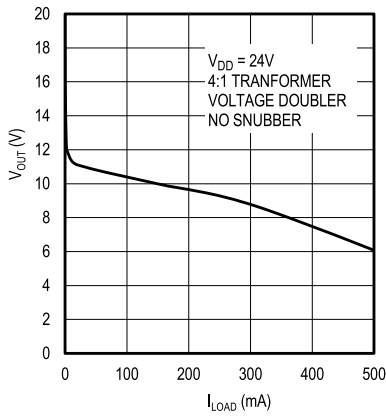
($V_{DD} = 24V$, $T_A = +25^\circ C$, unless otherwise noted.)



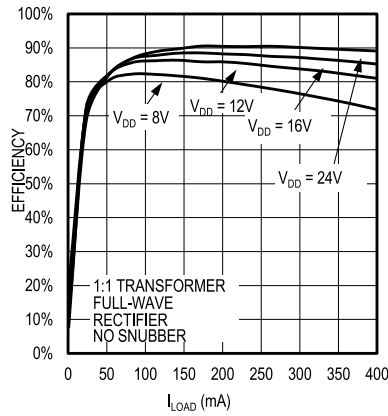
Typical Operating Characteristics (continued)

($V_{DD} = 24V$, $T_A = +25^\circ C$, unless otherwise noted.)

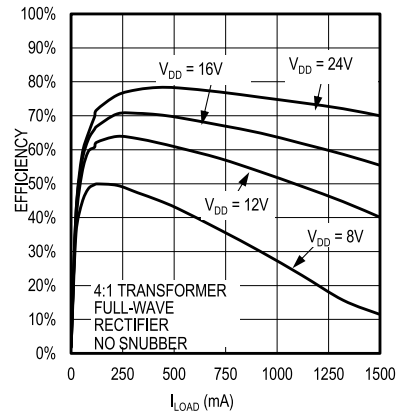
ISOLATED OUTPUT VOLTAGE vs. LOAD CURRENT



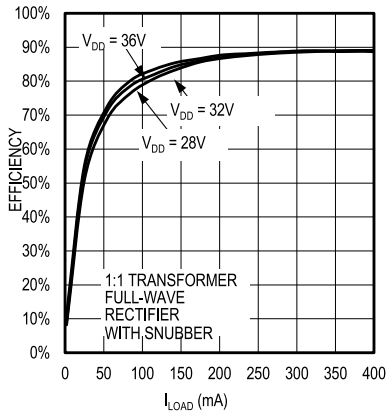
EFFICIENCY vs. LOAD CURRENT



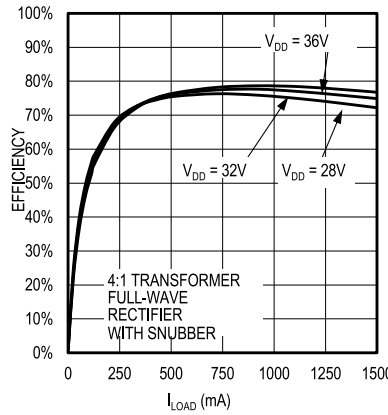
EFFICIENCY vs. LOAD CURRENT



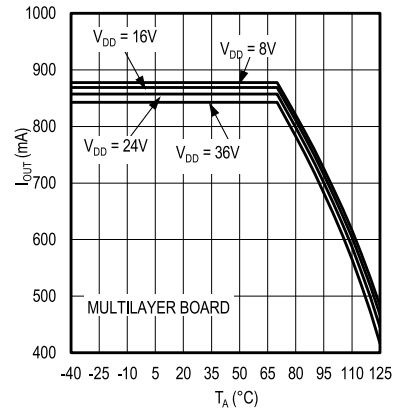
EFFICIENCY vs. LOAD CURRENT



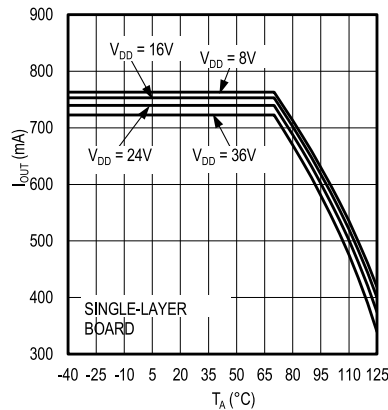
EFFICIENCY vs. LOAD CURRENT



MAXIMUM OUTPUT CURRENT vs. TEMPERATURE

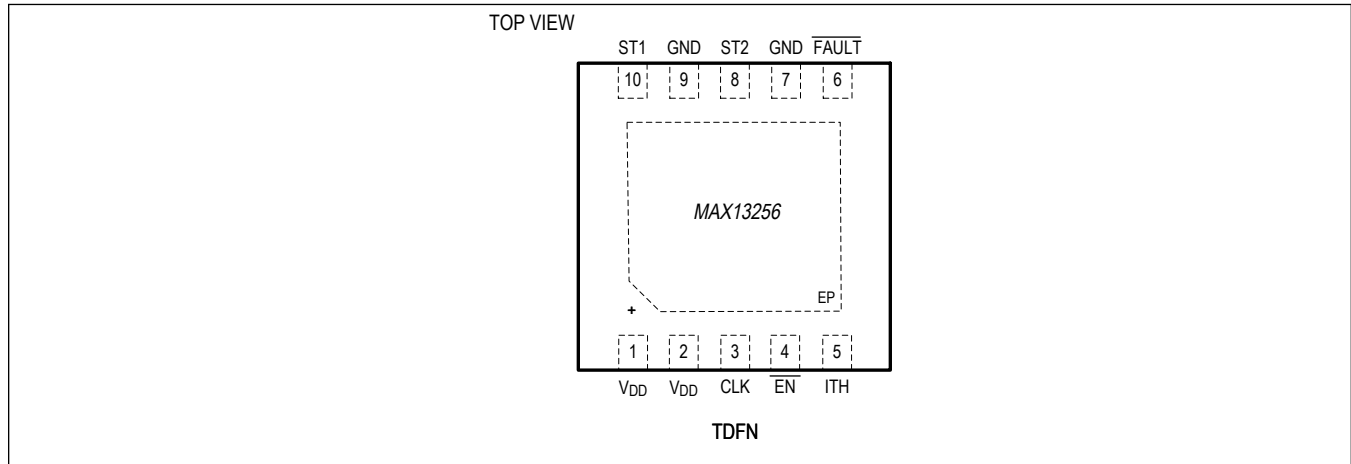


MAXIMUM OUTPUT CURRENT vs. TEMPERATURE



Pin Configuration

MAX13256

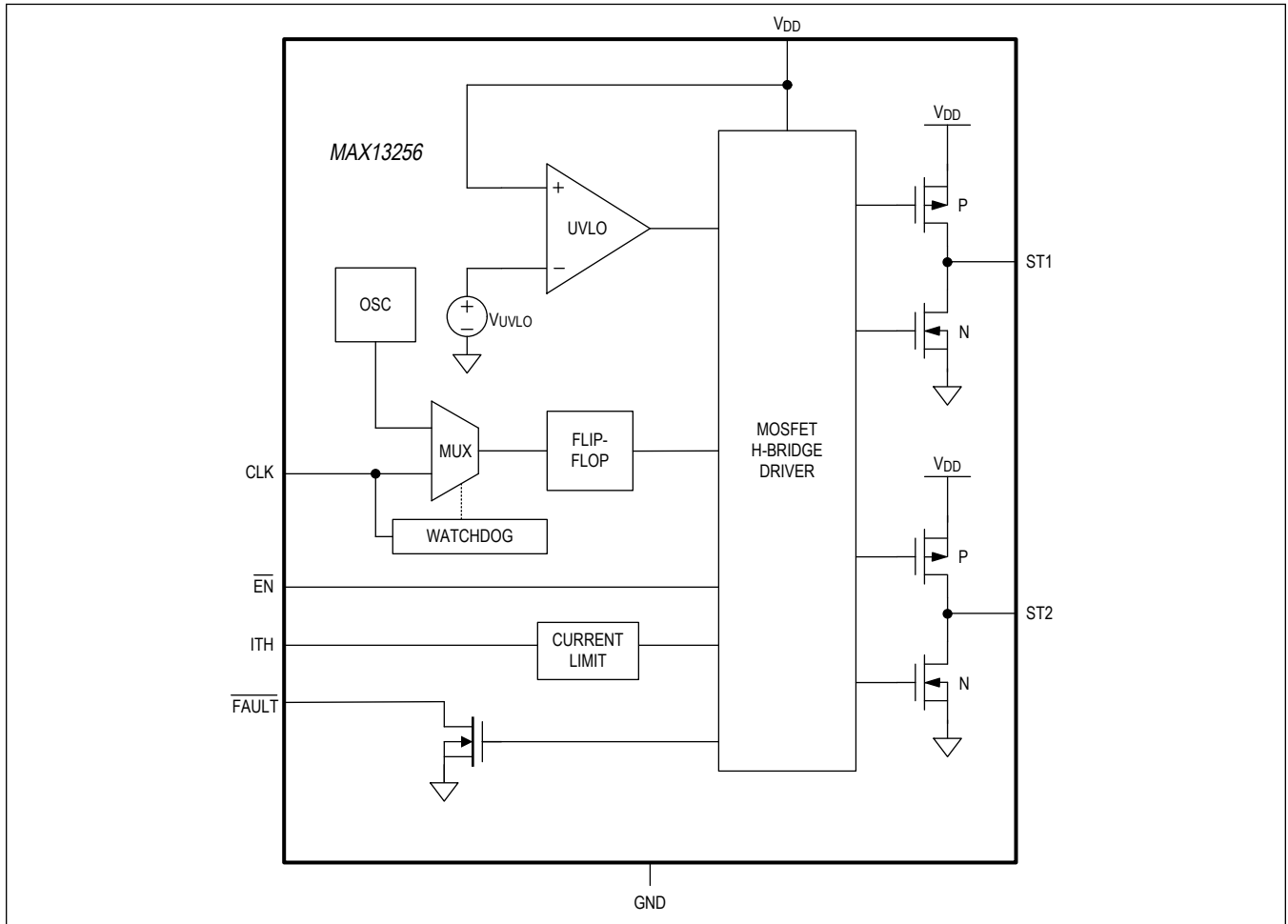


Pin Description

PIN	NAME	FUNCTION
1, 2	V _{DD}	Power Supply. Bypass V _{DD} to ground with a 1μF capacitor as close as possible to the device.
3	CLK	Clock Input. Connect CLK to GND to enable internal clocking. Apply a clock signal to CLK to enable external clocking.
4	$\overline{\text{EN}}$	Enable Input. Drive $\overline{\text{EN}}$ low to enable the device. Drive $\overline{\text{EN}}$ high to disable the device.
5	ITH	Overcurrent Threshold Adjustment Input. Connect a resistor (R _{LIM}) from ITH to GND to set the overcurrent threshold for the ST1 and ST2 outputs. Do not exceed 10pF of capacitance to GND on ITH.
6	$\overline{\text{FAULT}}$	Fault Open-Drain Output. The fault open-drain transistor turns on when there is either an overtemperature or overcurrent condition.
7, 9	GND	Ground
8	ST2	Transformer Drive Output 2
10	ST1	Transformer Drive Output 1
-	EP	Exposed Pad. Internally connected to GND. Connect EP to a large ground plane to maximize thermal performance; not intended as an electrical connection point.

Functional Diagram

MAX13256



Detailed Description

The MAX13256 is an integrated primary-side controller and H-bridge driver for isolated power-supply circuits. The device contains an on-board oscillator, protection circuitry, and internal MOSFETs to provide up to 300mA of current to the primary winding of a transformer. The device can be operated using the internal oscillator or driven by an external clock to synchronize multiple MAX13256 devices and control EMI behavior. Regardless of the clock source being used, an internal flip-flop stage guarantees a fixed 50% duty cycle to prevent DC current flow in the transformer as long as the period of the clock is constant.

The device operates from a wide single-supply voltage of 8V to 36V, and includes undervoltage lockout for controlled startup. The device features break-before-make switching to prevent cross conduction of the H-bridge MOSFETs. An external resistor sets an overcurrent limit, allowing primary-side limiting of load currents on the transformer's secondary side. Thermal-shutdown circuitry provides additional protection against excessive power dissipation.

Isolated Power Supply

The MAX13256 allows a versatile range of secondary-side rectification circuits (see [Figure 3](#)). The primary-to-secondary transformer winding ratio can be chosen to adjust the isolated output voltage. The device delivers up to 300mA of current to the transformer with a supply up to +36V.

The MAX13256 provides the advantages of the H-bridge converter topology, including multiple isolated outputs, step-up/step-down or inverted output, relaxed filtering requirements, and low output ripple.

Clock Source

Either the internal oscillator or an external clock provides the switching signal for the MAX13256. Connect CLK to ground to select the internal oscillator. Provide a clock signal to CLK to automatically select external clocking.

Internal Oscillator Mode

The MAX13256 includes an internal oscillator that drives the H-bridge when a watchdog timeout is detected on CLK. The outputs switch at 425kHz (typ) with a guaranteed 50% duty cycle in the internal oscillator mode.

External Clock Mode

The MAX13256 provides an external clock mode. When an external clock source is applied to CLK, the external clock drives the H-bridge. An internal flip-flop divides the external clock by two in order to generate a switching signal with a guaranteed 50% duty cycle. As a result, the device outputs switch at one-half of the external clock frequency. The device switches on the rising edge of the external clock signal.

Watchdog

A stalled clock could cause excessive DC current to flow through the primary winding of the transformer. The MAX13256 features an internal watchdog circuit to prevent damage from this condition. The internal oscillator provides the switching signal to the H-bridge whenever the period between edges on CLK exceeds the watchdog timeout period of 20 μ s (min).

Transients on ST1/ST2 During t_{DEAD}

When the MAX13256 switches, there is a period of time when both ST1 and ST2 are high impedance to ensure that there are no shoot-through currents in the H-bridge. During this dead time, the voltage at these pins may temporarily exceed the absolute maximum ratings due to the inductive load presented by the transformer. This transient voltage will not damage the device.

Disable Mode

The MAX13256 provides a disable mode to reduce current consumption. The ST1 and ST2 outputs are high impedance in disable mode.

Power-Up and Undervoltage Lockout

The MAX13256 provides an undervoltage-lockout feature to both ensure a controlled power-up state and prevent

operation before the oscillator has stabilized. On power-up and during normal operation if the supply voltage drops below V_{UVLO} , the undervoltage-lockout circuit forces the device into disable mode. The ST1 and ST2 outputs are high impedance in disable mode.

Overcurrent Limiting

The MAX13256 limits the ST1/ST2 output current. Connect an external resistor (R_{LIM}) to ITH to set the current limit. When the current reaches the limit for longer than the blanking time of 1.2ms (typ), the drivers are disabled and \overline{FAULT} is asserted low. The drivers are reenabled after the autoretry time of 38.4ms (typ). If a continuous fault condition is present, the duty cycle of the fault current is approximately 3%.

To set the current-limit threshold, use the following equation:

$$R_{LIM}(k\Omega) = \frac{650}{I_{LIM}(mA)}$$

where I_{LIM} is the desired current threshold in the range of $215mA < I_{LIM} < 650mA$ (typ). For example, a 1k Ω resistor sets the current limit to 650mA. Use a 1% resistor for R_{LIM} for increased accuracy.

Ensure that the overcurrent threshold is set to at least twice the expected maximum operating current. For an expected maximum operating current of 300mA, set the I_{LIM} to 650mA. For an expected operating current of 100mA, set the I_{LIM} to 215mA.

\overline{FAULT} Output

The \overline{FAULT} output is asserted low whenever the device is disabled due to a fault condition. \overline{FAULT} is automatically deasserted when the device is enabled after the autoretry time following an overcurrent fault, resulting in \overline{FAULT} toggling during a continuous overcurrent condition. \overline{FAULT} is asserted for the entire duration of an over-temperature fault. \overline{FAULT} is an open-drain output.

Thermal Shutdown

The MAX13256 is protected from overtemperature damage by a thermal-shutdown circuit. When the junction temperature (T_J) exceeds +160°C, the device is disabled and \overline{FAULT} is asserted low. \overline{FAULT} stays low for the duration of an overtemperature fault. The device resumes normal operation when T_J falls below +150°C.

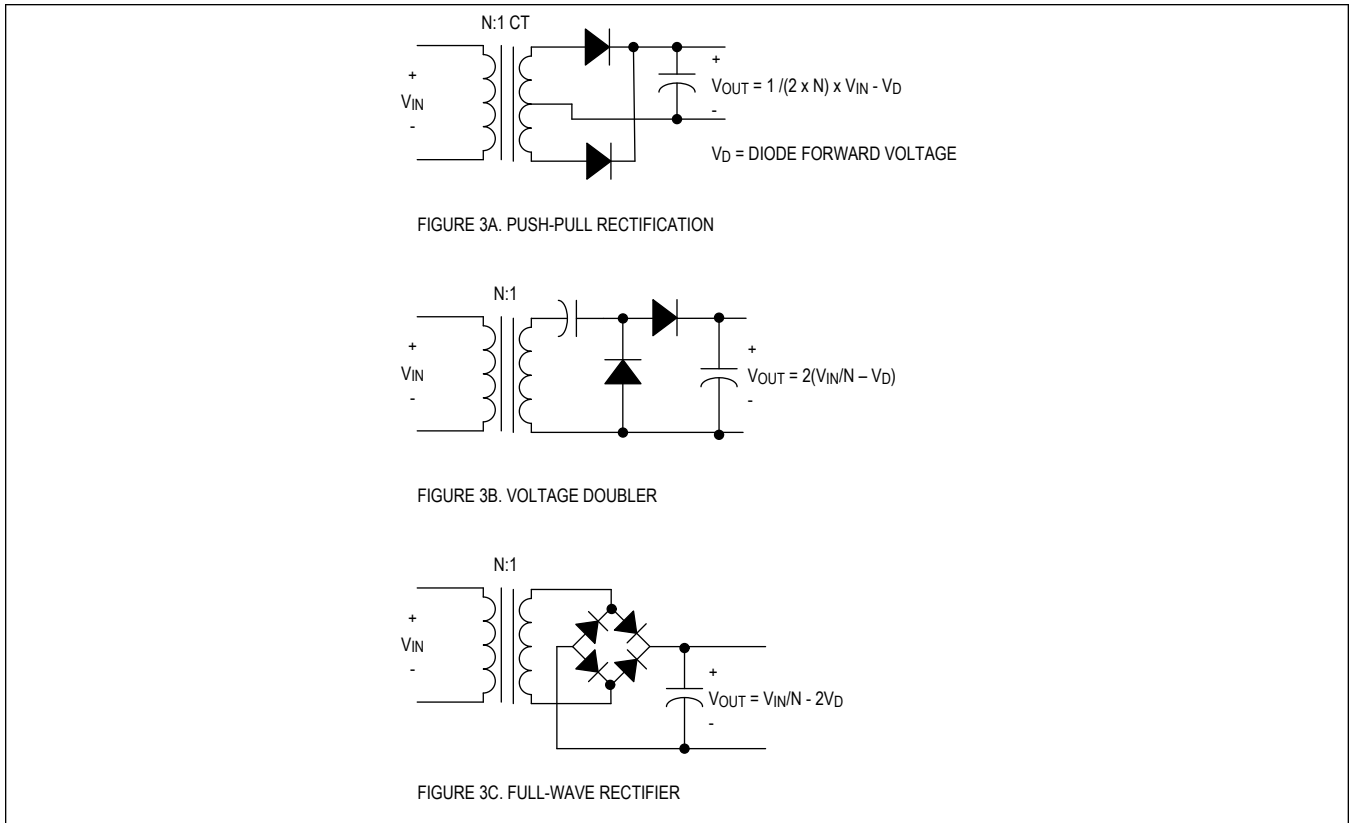


Figure 3. Secondary-Side Rectification Topologies

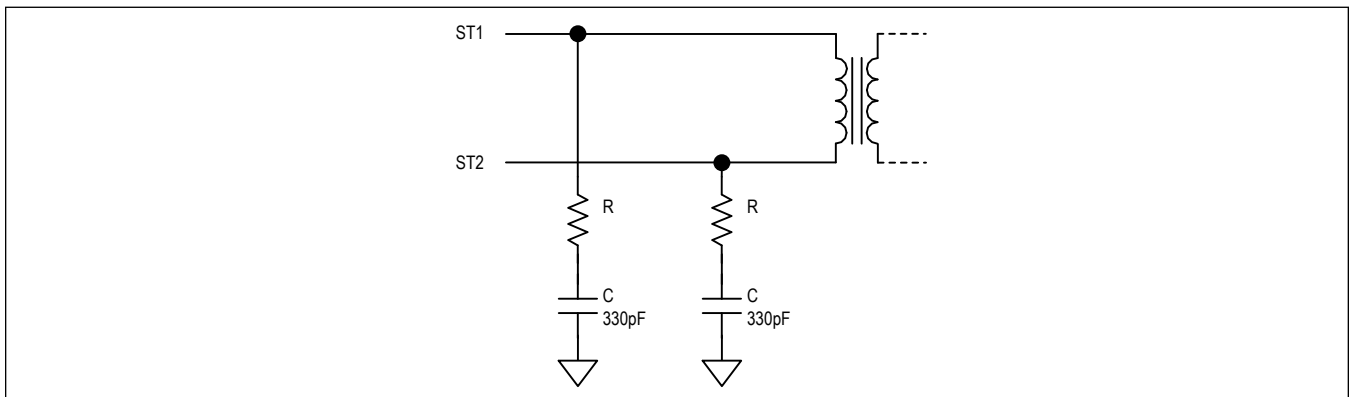


Figure 4. Output Snubber

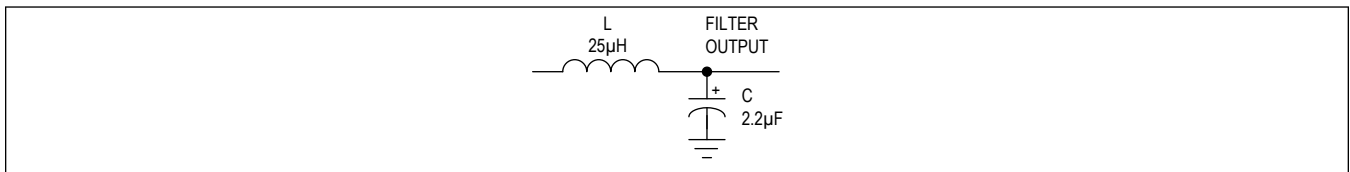


Figure 5. Output Ripple Filtering

Applications Information

Snubber

For V_{DD} greater than 27V, use a simple RC snubber circuit on ST1 and ST2 to ensure that the peak voltage is less than 40V during switching ([Figure 4](#)). Recommended values for the snubber are $R = 91\Omega$ and $C = 330pF$.

Power Dissipation

The power dissipation of the device is approximated by:

$$P_D = (R_{OHL} \times I_{PRI}^2) + (I_{DD} \times V_{DD})$$

where R_{OHL} is the combined high-side and low-side on-resistance of the internal FET drivers, and I_{PRI} is the load current flowing through ST1 and ST2.

High-Temperature Operation

When the MAX13256 is operated under high ambient temperatures, the power dissipated in the package can raise the junction temperature close to thermal shutdown. Under such temperature conditions, the power dissipation should be held low enough so that that junction temperature observes a factor of safety margin. The maximum junction temperature should be held below +140°C. Use the package's thermal resistances to calculate the junction temperature. Alternatively use the Maximum Output Current vs. Temperature curves shown in the [Typical Operating Characteristics](#) section to determine the maximum ST1/ST2 load currents.

Hot Insertion

If the MAX13256 is inserted into a live backplane, it is possible to damage the device. Damage is caused by overshoot on V_{DD} exceeding the absolute maximum rating. Limit the transient input voltage to the MAX13256 with an external protection device.

Output-Ripple Filtering

Output-voltage ripple can be reduced with a lowpass LC filter (see [Figure 5](#)). The component values shown give a cutoff frequency of 21.5kHz by the equation:

$$f_{3dB} = \frac{1}{2\pi\sqrt{LC}}$$

Use an inductor with low DC resistance and sufficient saturation current rating to minimize filter power dissipation.

Power-Supply Decoupling

Bypass V_{DD} to ground with a 1 μ F ceramic capacitor as close as possible to the device.

Output-Voltage Regulation

For many applications, the unregulated output of the MAX13256 meets the output-voltage tolerances. This configuration represents the highest efficiency possible with the device.

For applications requiring a regulated output voltage, Maxim provides several solutions. In the following examples, assume a tolerance of $\pm 10\%$ for the input voltage.

When the load currents on the transformer's secondary side are low, the output voltage can strongly increase. If operation under low load currents is expected, output-voltage limiting should be used to keep the voltage within the tolerance range of the subsequent circuitry. If the minimum output load current is less than approximately 5mA, connect a zener diode from the output node to ground as shown in [Figure 6](#) to limit the output voltage to a safe value.

Example 1: +24V to Isolated, Regulated +3.3V

In [Figure 6](#), the MAX13256 feeds approximately +4.4V to the input of an LDO through a TGMR-502V6LF 4:1 transformer and 4-diode bridge rectifier (see [Figure 3](#)). From this, a MAX604 LDO produces a regulated +3.3V output at up to 500mA.

Example 2: +24V to Isolated, Regulated +12V

In the circuit of [Figure 7](#), the MAX13256 feeds approximately +14.2V through a 1.5:1 transformer and a 4-diode bridge rectifier (see [Figure 3](#)). From this, a MAX1659 LDO produces a regulated +12V output at up to 350mA.

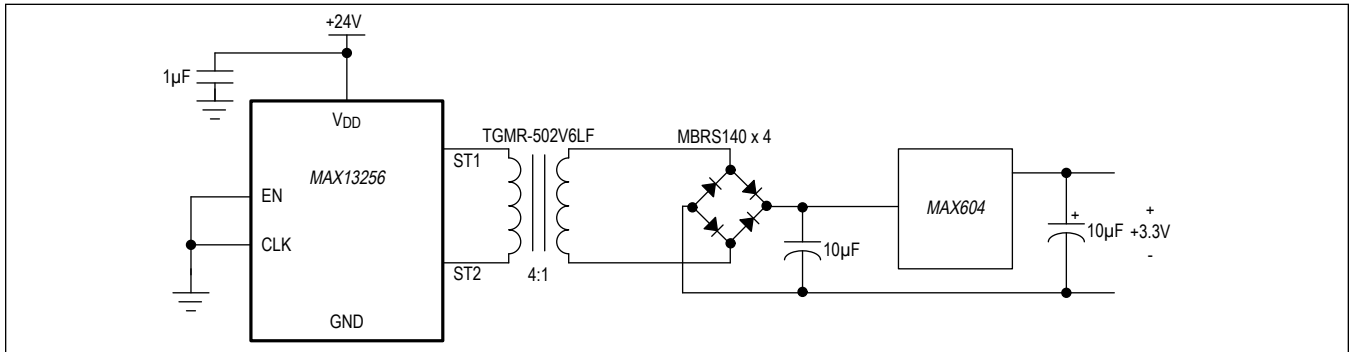


Figure 6. +24V to Isolated, Regulated +3.3V

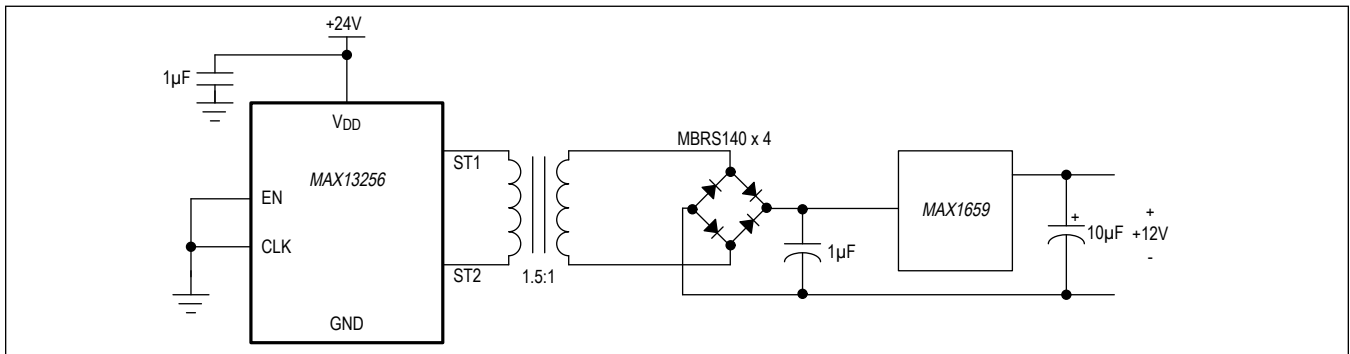


Figure 7. +24V to Isolated, Regulated +12V

Example 3: +24V to Isolated, Regulated $\pm 15V$

In [Figure 8](#), the MAX13256 is used with a 1:1.5 center tapped transformer and a 4-diode bridge rectifier network (see [Figure 3](#)) to supply $\pm 17.1V$ to a MAX8719 LDO and a 7915 LDO. The circuit produces regulated $\pm 15V$ outputs at up to 100mA.

Isolated DAC/ADC Interface for Industrial Process Control

The MAX13256 provides isolated power for data converters in industrial process control applications (see [Figure 9](#)). The 300mA output current capability allows for multiple data converters operating across an isolation barrier. The power output capability also supports circuitry for signal conditioning and multiplexing.

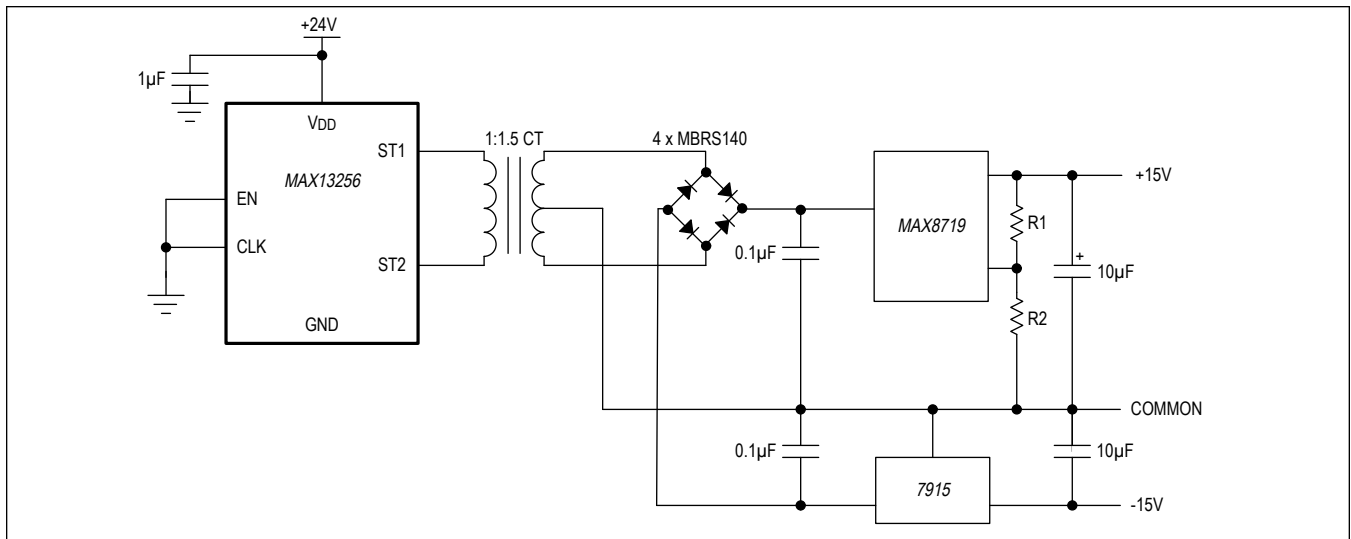


Figure 8. +24V to Isolated, Regulated ±15V

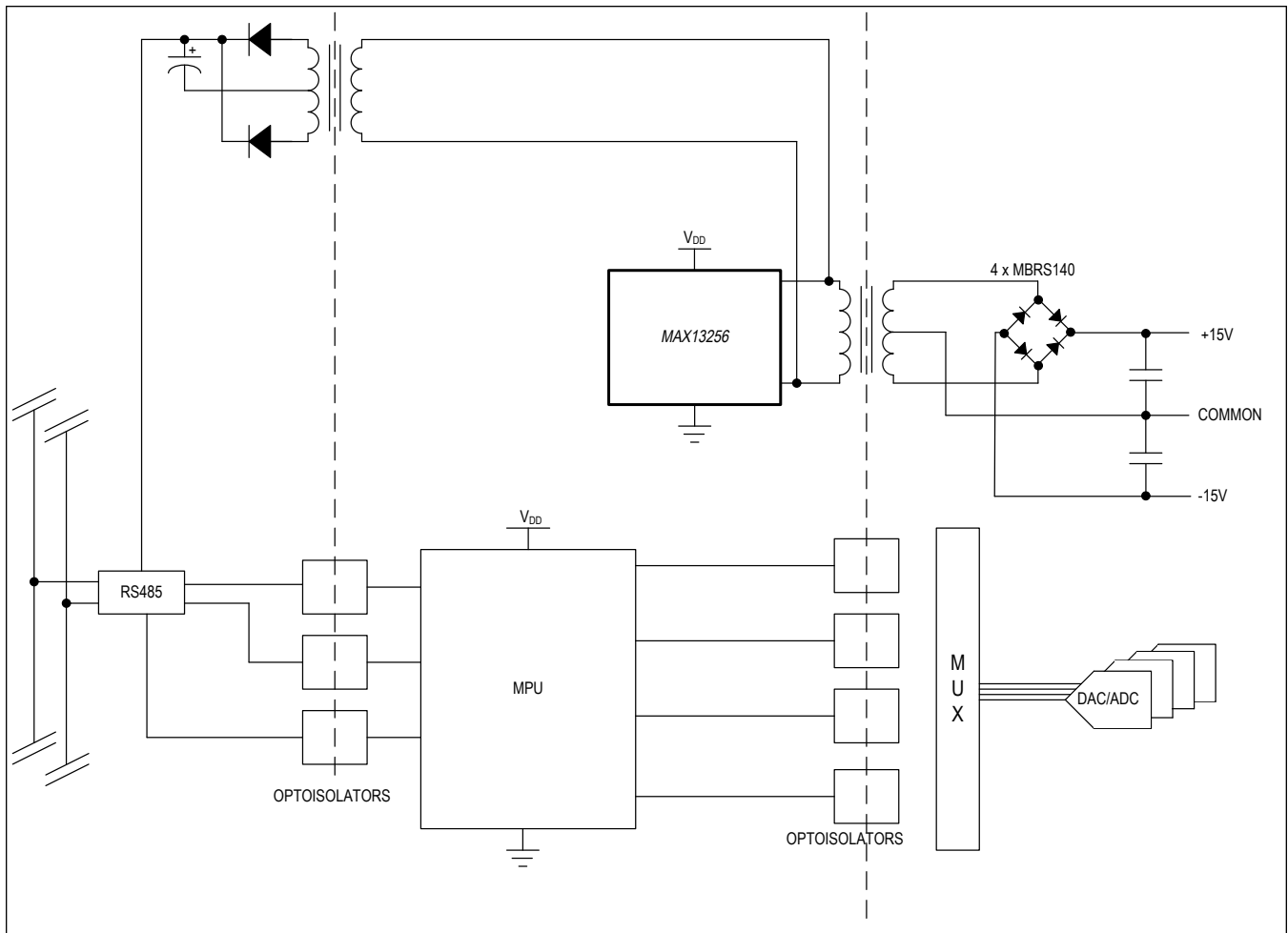


Figure 9. Isolated Power Supply for Industrial Control Applications

Isolated RS-485/RS-232 Data Interfaces

The MAX13256 provides power for multiple transceivers in isolated RS-485/RS-232 data interface applications. The 300mA output current capability of the MAX13256 allows multiple RS-485/RS-232 transceivers to operate simultaneously.

PCB Layout Guidelines

As with all power-supply circuits, careful PCB layout is important to achieve low switching losses and stable operation. For thermal performance, connect the exposed pad to a solid copper ground plane.

The traces from ST1 and ST2 to the transformer must be low resistance and inductance paths. Place the transformer as close as possible to the MAX13256 using short, wide traces.

When the device is operating with the internal oscillator, it is possible for high-frequency switching components on ST1 and ST2 to couple into the CLK circuitry through PCB parasitic capacitance. This capacitive coupling can induce duty-cycle errors in the oscillator, resulting in a DC current through the transformer. To ensure proper operation, ensure that CLK has a solid ground connection.

Exposed Pad

Ensure that the exposed pad has a solid connection to the ground plane for best thermal performance. Failure to provide

a low thermal impedance path to the ground plane results in excessive junction temperatures when delivering maximum output power.

Component Selection

Transformer Selection

Transformer selection for the MAX13256 can be simplified by the use of a design metric, the ET product. The ET product relates the maximum allowable magnetic flux density in a transformer core to the voltage across a winding and switching period. Inductor magnetizing current in the primary winding changes linearly with time during the switching period of the device. Transformer manufacturers specify a minimum ET product for each transformer. The transformer's ET product must be larger than:

$$ET = V_{DD}/(2 \times f_{SW})$$

where f_{SW} is the minimum switching frequency of the ST1/ST2 outputs (255kHz (min)) when the internal oscillator is used or one-half of the clock frequency when an external clock source is used.

Choose a transformer with sufficient ET product in the primary winding to ensure that the transformer does not saturate during operation. Saturation of the magnetic core results in significantly reduced inductance of the primary, and therefore a large increase in current flow. This can cause the current limit to be reached even when the load is not high.

For example, when the internal oscillator is used to drive the H-bridge, the required transformer ET product for an application with $V_{DD(max)} = 36V$ is $70.6V\mu s$. An application with $V_{DD(max)} = 8.8V$ has a transformer ET product requirement of $17.3V\mu s$.

In addition to the constraint on ET product, choose a transformer with a low DC-winding resistance. Power dissipation of the transformer due to the copper loss is approximated as:

$$P_{D_TX} = I_{LOAD}^2 \times (R_{PRI}/N^2 + R_{SEC})$$

where R_{PRI} is the DC winding resistance of the primary, and R_{SEC} is the DC winding resistance of the secondary. In most cases, an optimum is reached when $R_{SEC} = R_{PRI}/N^2$. For this condition, the power dissipation is equal for the primary and secondary windings.

As with all power-supply designs, it is important to optimize efficiency. In designs incorporating small transformers, the possibility of thermal runaway makes low transformer efficiencies problematic. Transformer losses produce a temperature rise that reduces the efficiency of the transformer. The lower efficiency, in turn, produces an even larger temperature rise.

To ensure that the transformer meets these requirements under all operating conditions, the design should focus on the worst-case conditions. The most stringent demands on ET product arise for minimum input voltage, switching frequency, and maximum temperature and load current. Additionally, the worst-case values for transformer and rectifier losses should be considered.

The primary should be a single winding; however, the secondary can be center-tapped, depending on the desired rectifier topology. In most applications, the phasing between primary and secondary windings is not significant. Half-wave rectification architectures are possible with the MAX13256; however, these are discouraged. If a net DC current results due to an imbalanced load, the average magnetic flux in the core is increased. This reduces the effective ET product and can lead to saturation of the transformer core.

Transformers for use with the device are typically wound on a high-permeability magnetic core. To minimize radiated electromagnetic emissions, select a toroid, pot core, E/I/U core, or equivalent.

Low-Voltage Operation

The MAX13256 can be operated from an +8V supply by decreasing the turns ratio of the transformer, or by designing a voltage doubler circuit as shown in [Figure 3](#).

Optimum performance at +8V is obtained with fewer turns on the primary winding since the ET product requirement is lower than for a +24V supply. However, any of the transformers for use with a +24V supply can operate properly with a +8V supply. For a given power level, the transformer currents are higher with a +8V supply than with a +24V supply. Therefore, the DC resistance of the transformer windings has a larger impact on the circuit efficiency.

Diode Selection

The high switching speed of the MAX13256 necessitates high-speed rectifiers. Ordinary silicon signal diodes such as 1N914 or 1N4148 can be used for low-output current levels (less than 50mA). But at higher output current levels, their reverse recovery times might degrade efficiency. At higher output currents, select low forward-voltage Schottky diodes to improve efficiency. Ensure that the average forward current rating for the rectifier diodes exceeds the maximum load current of the circuit. For surface-mount applications, Schottky diodes such as the BAT54, MBRS140, and MBR340 are recommended.

Capacitor Selection

Input Bypass Capacitor

Bypass the supply pin to GND with a 1 μ F ceramic capacitor as close as possible to the device. The equivalent series resistance (ESR) of the input capacitors is not as critical as for the output filter capacitors. Typically ceramic X7R capacitors are adequate.

Output Filter Capacitor

In most applications, the actual capacitance rating of the output filter capacitors is less critical than the capacitor's ESR. In applications sensitive to output-voltage ripple, the output filter capacitor must have low ESR. For optimal performance, the capacitance should meet or exceed the specified value over the entire operating temperature range. Capacitor ESR typically rises at low temperatures; however, OS-CON capacitors can be used at temperatures below 0°C to help reduce output-voltage ripple in sensitive applications. In applications where low output-voltage ripple is not critical, standard ceramic 0.1 μ F capacitors are sufficient.

Suggested External Component Manufacturers

Table 1. Component Manufacturers

MANUFACTURER	COMPONENT	WEBSITE
Central Semiconductor	Diodes	www.centrasemi.com
Halo Electronics	Transformers	www.haloelectronics.com
Kemet	Capacitors	www.kemet.com
Sanyo	Capacitors	www.sanyo.com
Taiyo Yuden	Capacitors	www.t-yuden.com
TDK	Capacitors	www.component.tdk.com

Ordering Information

PART	TEMP RANGE	PIN-PACKAGE
MAX13256ATB+	-40°C to +125°C	10 TDFN-EP*

+Denotes a lead(Pb)-free/RoHS-compliant package.

*EP = Exposed Pad

Revision History

REVISION NUMBER	REVISION DATE	DESCRIPTION	PAGES CHANGED
0	6/11	Initial release	—
1	8/11	Added Note 4 to Watchdog Timeout section in the <i>Electrical Characteristics</i> table, updated text and formula in <i>Overcurrent Limiting</i> section	3, 9
2	9/21	Updated ST1, ST2 Leakage Current test conditions in the <i>Electrical Characteristics</i> table	4

Looking for pricing, stock, or lifecycle information?

Click below to explore more details on WIN SOURCE:

- ⊖ [View MAX13256ATB+T on WIN SOURCE](#)
- ⊖ [Maxim Integrated Information](#)

Optimize Your Supply Chain with WIN SOURCE Solutions

- ✓ Global Sourcing Solution
- ✓ Obsolete Management
- ✓ Cost Control Management
- ✓ Shortage Management
- ✓ Alternative Solution
- ✓ Excess Inventory Management