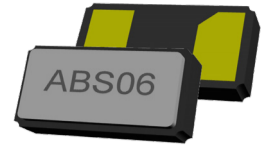




**THE DATASHEET OF
ABS06-127-32.768KHZ-T**



SMD LOW PROFILE CRYSTAL



ABS06-127-32.768KHZ-T



2.0 x 1.2 x 0.6 mm
RoHS/RoHS II Compliant

MSL=N/A:NOTAPPLICABLE

FEATURES

- Miniature 2.0 x 1.2 mm footprint
- Low 0.6 mm profile
- Industrial temperature range (-40°C to +85°C)
- ±20 ppm initial frequency tolerance

APPLICATIONS

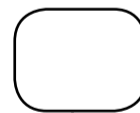
- Internet of Things (IoT)
- Industrial IoT
- Low power devices
- Real time clocks
- MCU clocking

KEY ELECTRICAL SPECIFICATIONS

Parameters	Minimum	Typical	Maximum	Units	Notes
Frequency		32.768		kHz	
Operation Mode	Flexural Mode (Tuning Fork)				
Operating Temperature Range	-40		+85	°C	
Storage Temperature	-55		+125	°C	
Frequency Tolerance @ +25°C	-20		+20	ppm	Tested at 0.5uW
Temperature Coefficient:	-0.04	-0.03	-0.02	ppm/T ²	
Turn-over temperature:	+20	+25	+30	°C	
Equivalent series resistance (R1)			90	kΩ	
Load capacitance (CL)		12.5		pF	
Drive Level		0.1	0.5	μW	
Q value	9000				
Aging@25°C±3°C	-3		3	ppm	First year
Insulation Resistance	500			MΩ	@ 100Vdc ± 15V

PART IDENTIFICATION

ABS06-127-32.768KHZ -

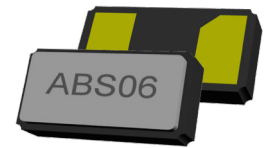


Packaging

Blank: Bulk

T3: 3kpcs / reel

SMD LOW PROFILE CRYSTAL



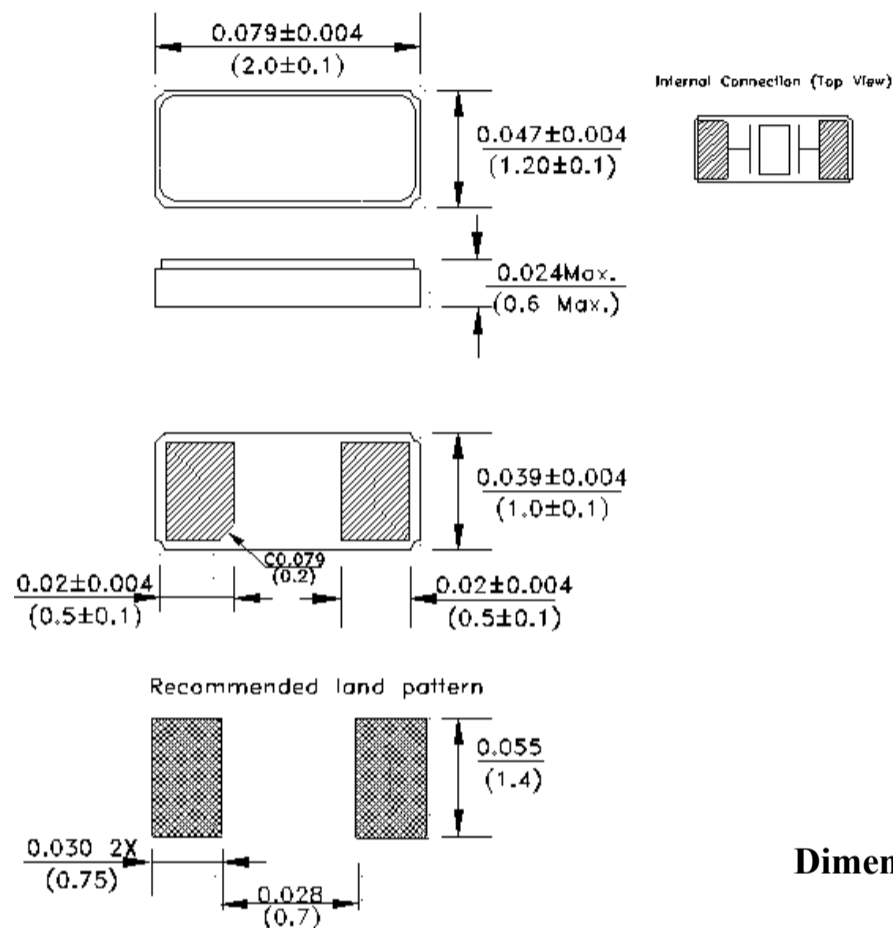
ABS06-127-32.768KHZ-T



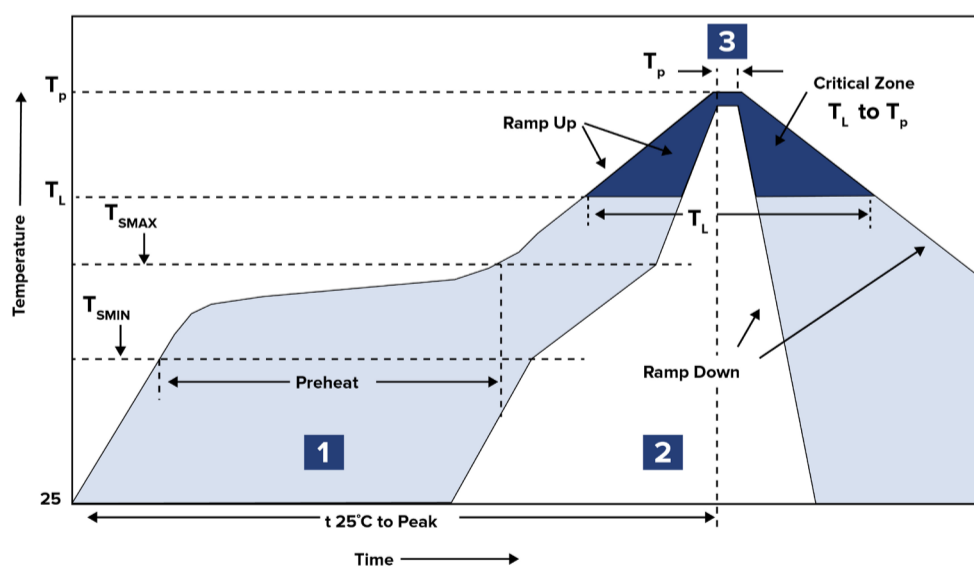
2.0 x 1.2 x 0.6 mm
RoHS/RoHS II Compliant

MSL=N/A:NOTAPPLICABLE

MECHANICAL DIMENSIONS



REFLOW PROFILE



Zone	Description	Temperature	Time
1	Preheat	$T_{SMIN} \sim T_{SMAX}$ 150°C ~ 180°C	60 ~ 120 sec.
2	Reflow	T_L 230°C	30 ~ 40 sec.
3	Peak Heat	T_P 260°C	10 sec. MAX

SMD LOW PROFILE CRYSTAL



ABS06-127-32.768KHZ-T

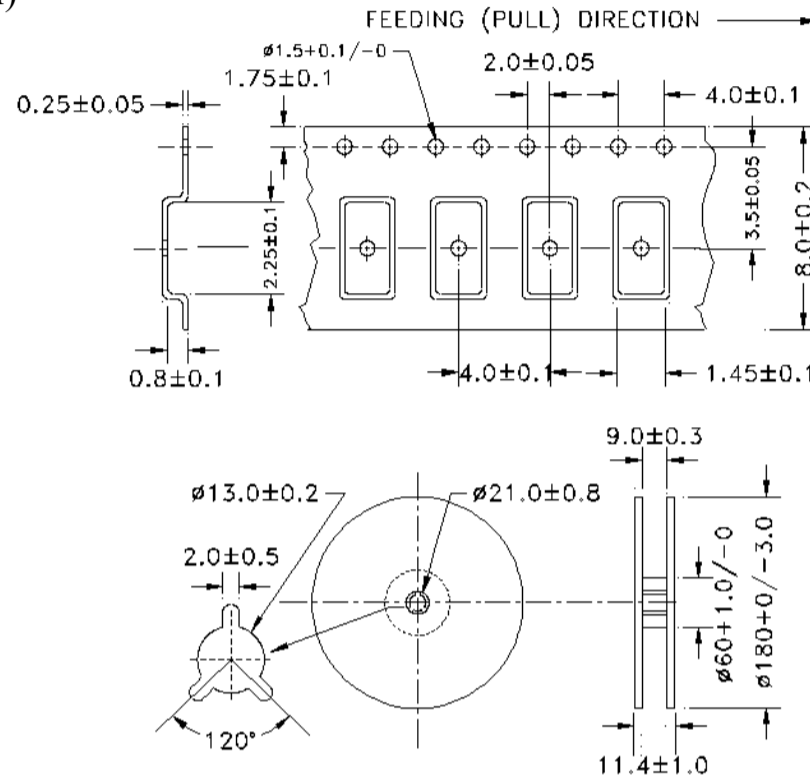


2.0 x 1.2 x 0.6 mm
RoHS/RoHS II Compliant

MSL=N/A:NOTAPPLICABLE

PACKAGING

T=Tape and reel (3,000pcs/reel)



Dimensions: mm

Looking for pricing, stock, or lifecycle information?

Click below to explore more details on WIN SOURCE:

- [View ABS06-127-32.768KHZ-T on WIN SOURCE](#)
- [Abracon LLC Information](#)

Optimize Your Supply Chain with WIN SOURCE Solutions

- ✓ Global Sourcing Solution
- ✓ Obsolete Management
- ✓ Cost Control Management
- ✓ Shortage Management
- ✓ Alternative Solution
- ✓ Excess Inventory Management