



**THE DATASHEET OF  
NX2016SA-52MHZ-EXS00A-CS07103**



## NX2016SA For OA / AV/ Short-range Wireless

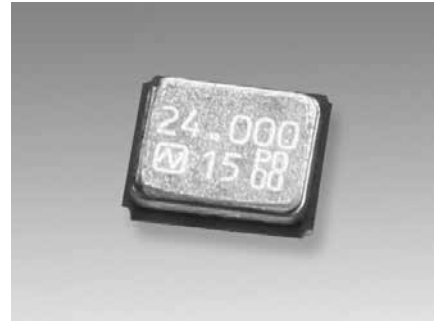
### ■ Features

A small and thin surface-mount type crystal unit, especially suited for small-sizing requirements.

- Ultra compact and thin. (2.0 × 1.6 × 0.45 mm )
- Excellent environmental characteristics, including heat and shock resistance.
- Excellent electrical performance, ideal for OA (office automation), AV(audiovisual), Bluetooth and Wireless LAN applications.
- Lead-free. Meets the requirements for re-flow profiling using lead-free solder.

Pb Free

RoHS Compliant  
Directive 2011/65/EU  
Directive (EU) 2015/863



### ■ Specifications

Item	Model	NX2016SA	
		Standard	Optional
Nominal Frequency (MHz)		16 ≤ F ≤ 80	16 ≤ F ≤ 80
Overtone Order		Fundamental	Fundamental
Frequency Tolerance (25 ±3 °C)		±10 × 10 <sup>-6</sup>	±10 × 10 <sup>-6</sup>
Frequency versus Temperature Characteristics (with reference to +25 °C)		±25 × 10 <sup>-6</sup>	±15 × 10 <sup>-6</sup> (Temp extended case, *1)
Operating Temperature Range (°C)		-40 to +85	-10 to +75 -40 to +85 *1
Storage Temperature Range (°C)		-40 to +85	-40 to +85
Equivalent Series Resistance		Refer to *2	Refer to *2
Level of Drive (µW)		10 (Max. 100)	10 (Max. 100)
Load Capacitance (pF)		8	6 to 18
Frequency Aging (+25°C)			Max. ±3 × 10 <sup>-6</sup> / year *1
Specifications Number		STD-CZS-7	STD-CZS-6 Refer to *3

Please specify the model name, frequency, and specification number when you order products.

For further questions regarding specifications, please feel free to contact us.

\*1 If you have any other requests, NDK will study it.

\*3 Ordering information: Overtone Order Fundamental / 3rd Overtone, the Operating Temperature Range, Frequency versus Temperature Characteristics, Frequency Tolerance, and Load Capacitance.

Ex. Model, Frequency (38.400000MHz 6digits), S1:Fundamental or S3:3rd Overtone

- Operating Temperature Range (-40 to +85°C) - Frequency versus Temperature Characteristics (±25×10<sup>-6</sup>)

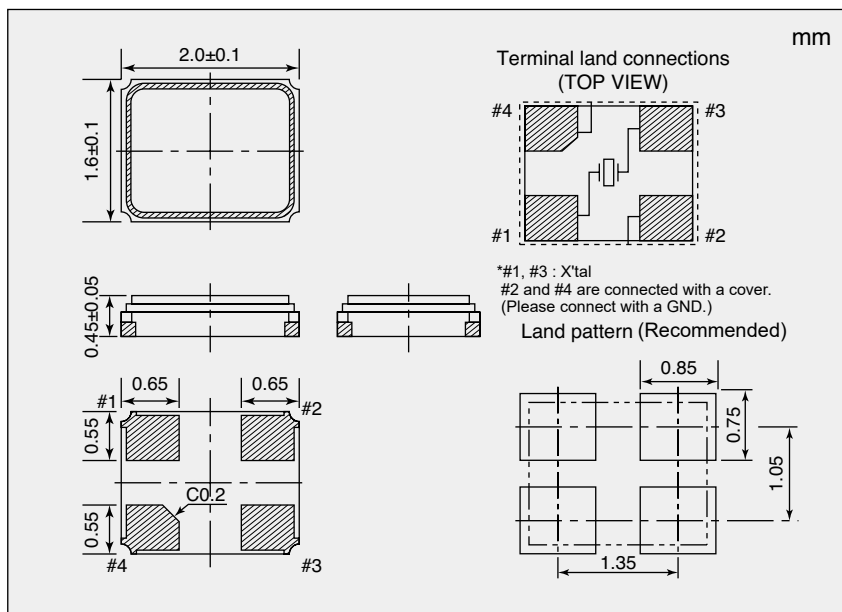
- Frequency Tolerance (±12×10<sup>-6</sup>) - Load Capacitance (7pF)

NX2016SA

38.400000MHz

S1-4085-25-12-7

### ■ Dimensions



\*2 Equivalent Series Resistance

Nominal Frequency (MHz)	Equivalent Series Resistance Max. (Ω)
16 ≤ F < 18	200
18 ≤ F < 20	150
20 ≤ F < 24	100
24 ≤ F < 26	80
26 ≤ F < 40	60
40 ≤ F ≤ 80	50

If you have any other requests, NDK will study it.

## Looking for pricing, stock, or lifecycle information?

Click below to explore more details on WIN SOURCE:

-  [View NX2016SA-52MHZ-EXS00A-CS07103 on WIN SOURCE](#)
-  [NDK Information](#)

## Optimize Your Supply Chain with WIN SOURCE Solutions

-  Global Sourcing Solution
-  Obsolete Management
-  Cost Control Management
-  Shortage Management
-  Alternative Solution
-  Excess Inventory Management