

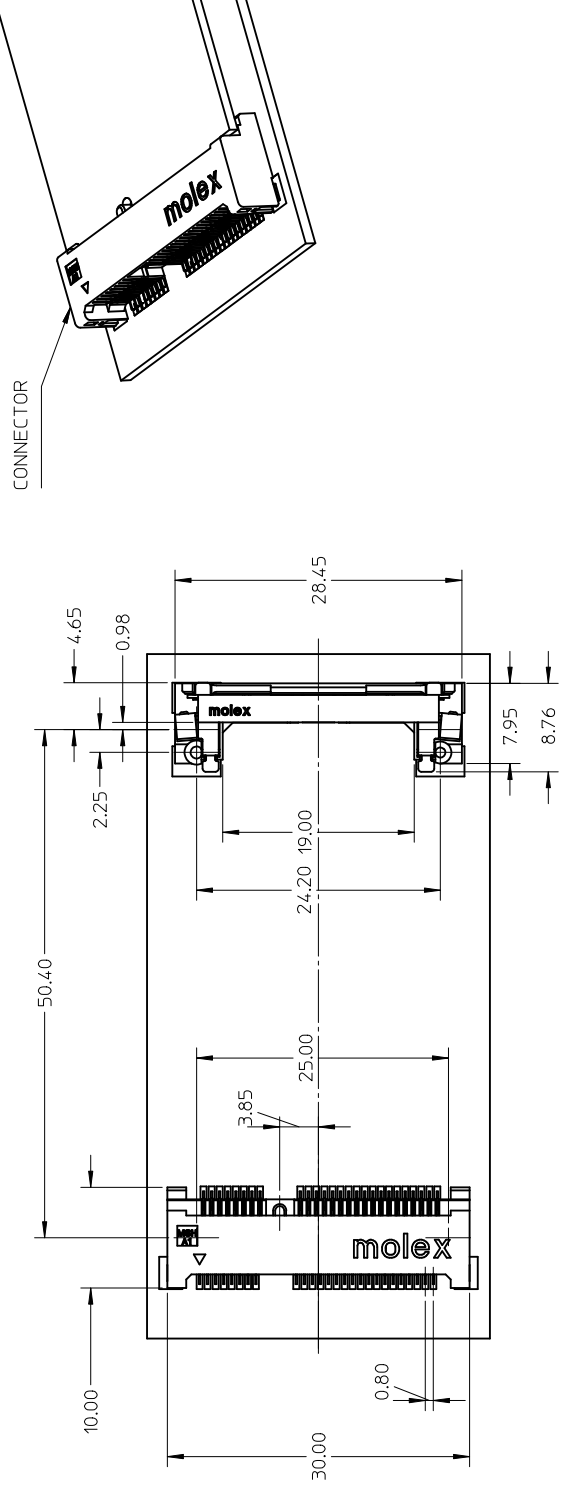


THE DATASHEET OF
0480995701



10 9 8 7 6 5 4 3

F

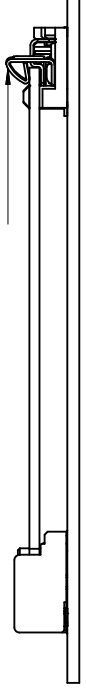


molex

CONNECTOR

molex

PUSH LATCH TO RELEASE MODULE



B

QUALITY SYMBOLS	▲=0	▽=0
-----------------	-----	-----

REV	DESCRIPTION
G	REVISID
	EC NO: S2010-0835
	DRWN: CWANG25
	CHKD: HARVEY
	APPR: NAGESHKN
	2010/04/05
	2010/04/07

GENERAL TOLERANCES (UNLESS SPECIFIED)	MM	INCH
4 PLACES	± 0.25	± 0.010
3 PLACES	± 0.25	± 0.010
2 PLACES	± 0.25	± 0.010
1 PLACE	± 0.25	± 0.010
ANGULAR ± 3°		

DIMENSION STYLE	MM ONLY
DRAWN BY	DAVID HU
CHECKED BY	HARVEY
APPROVED BY	NAGESHKN
DATE	2005/12/14
DATE	2005/12/14
DATE	2010/04/07

SCALE	NT
TITLE	
MATERIAL NO.	480995701
SIZE	A3
THIS DRAWING CONTAINS	INCORPORATED AND SHOULD

td_frame_A3_P_AM_T
Rev. F 2009/06/18

A

9

8

7

6

5

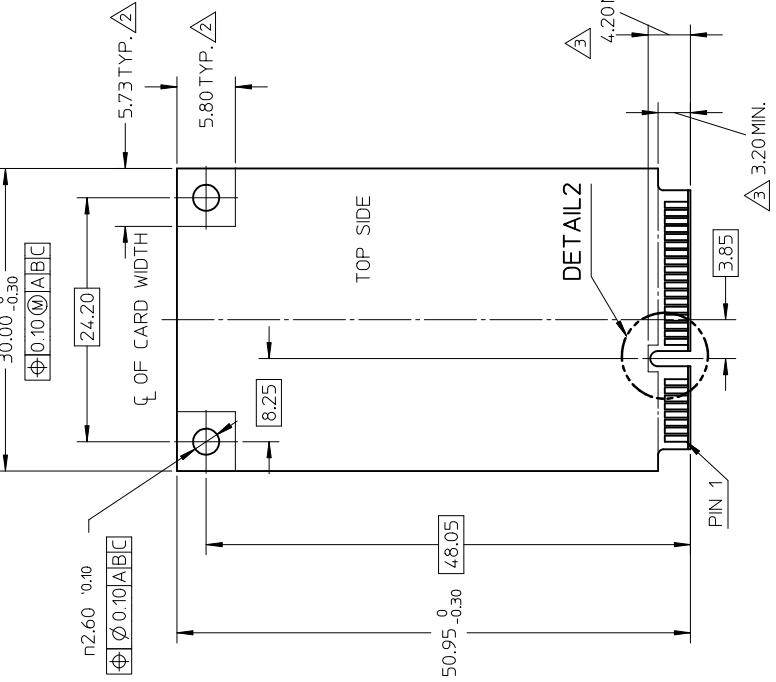
4

3

10 9 8 7 6 5 4 3

F

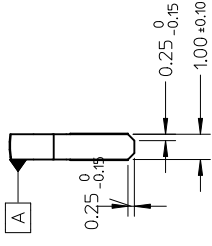
NOTES.
 1. PIN NUMBER
 ODD PIN
 EVEN PIN
 COMPONENT
 KEEP OUT
 COMPONENT



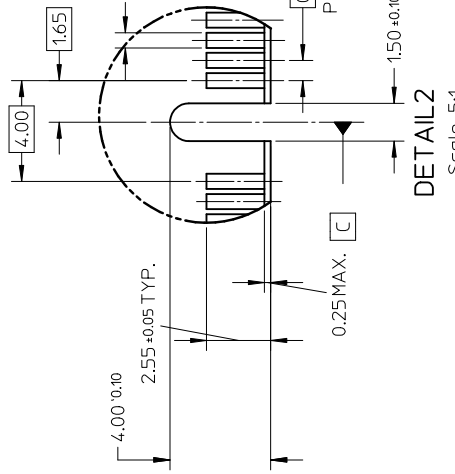
TOP SIDE

BOTTOM SIDE

DETAIL 3



Scale 5:1



DETAIL 2

Scale 5:1

REV	DESCRIPTION
G	DRWN:CMANG25 2010/04/05
	CHKD:HARVEY 2005/12/14
	APPR:NAAGESHKN 2010/04/07

QUALITY SYMBOLS	GENERAL TOLERANCES (UNLESS SPECIFIED)
$\nabla = 0$	4 PLACES ± ---
$\nabla = 0$	3 PLACES ± ---
$\nabla = 0$	2 PLACES ± 0.25
$\nabla = 0$	1 PLACE ± 0.25
	ANGULAR ± 3°

MM ONLY	INCH
4 PLACES ± ---	± ---
3 PLACES ± ---	± ---
2 PLACES ± 0.25	± ---
1 PLACE ± 0.25	± ---
ANGULAR ± 3°	

MM ONLY	DATE	TITLE
DRAWN BY	DAVID HU	2005/12/14
CHECKED BY	HARVEY	2005/12/14
APPROVED BY	NAAGESHKN	2010/04/07

MATERIAL NO.	480995701
SIZE	A3
THIS DRAWING CONTAINS INCORPORATED AND SHOULD	

9 8 7 6 5 4 3

A

3

Looking for pricing, stock, or lifecycle information?

Click below to explore more details on WIN SOURCE:

 [View 0480995701 on WIN SOURCE](#)

 [Molex, LLC Information](#)

Optimize Your Supply Chain with WIN SOURCE Solutions

-  Global Sourcing Solution
-  Obsolete Management
-  Cost Control Management
-  Shortage Management
-  Alternative Solution
-  Excess Inventory Management