



**THE DATASHEET OF  
DEA160915LT-1169**



# Multilayer Low Pass Filters

For GSM850/GSM900 Tx

## DEA Series

Type: **DEA160915LT-1169 (1.6×0.8×0.8mm)**

Issue date: November 2010

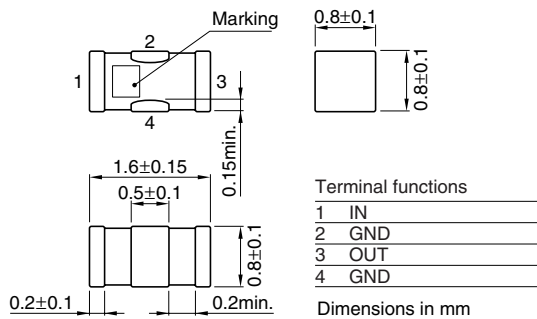
- All specifications are subject to change without notice.
  - Conformity to RoHS Directive: This means that, in conformity with EU Directive 2002/95/EC, lead, cadmium, mercury, hexavalent chromium, and specific bromine-based flame retardants, PBB and PBDE, have not been used, except for exempted applications.
-

# Multilayer Chip Low Pass Filters For AGSM-EGSM/Tx

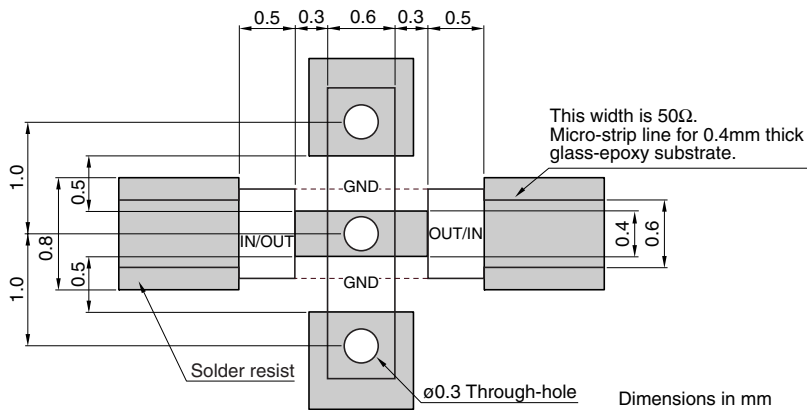
Conformity to RoHS Directive

DEA Series DEA160915LT-1169

## SHAPES AND DIMENSIONS



## RECOMMENDED PC BOARD PATTERNS



## ELECTRICAL CHARACTERISTICS

Item			Minimum value	Typical value	Maximum value
Insertion loss	[880 to 915MHz]	(dB)	—	—	0.7
	[1760 to 1830MHz]	(dB)	30	—	—
Attenuation	[2640 to 2745MHz]	(dB)	25	—	—
	Operating	(°C)	-40	—	+85
Temperature range	Storage	(°C)	-40	—	+85

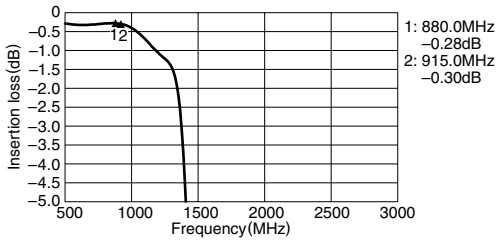
• Ta: 25±5°C

• Conformity to RoHS Directive: This means that, in conformity with EU Directive 2002/95/EC, lead, cadmium, mercury, hexavalent chromium, and specific bromine-based flame retardants, PBB and PBDE, have not been used, except for exempted applications.

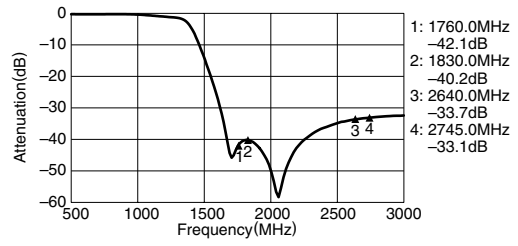
• All specifications are subject to change without notice.

### FREQUENCY CHARACTERISTICS

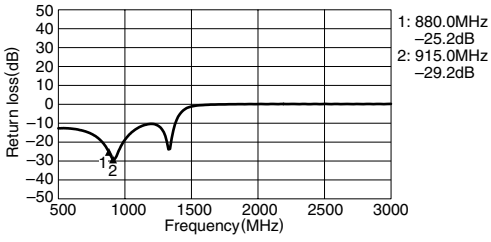
#### INSERTION LOSS



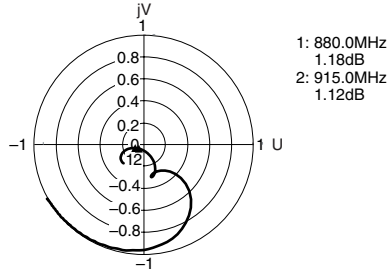
#### ATTENUATION



#### RETURN LOSS



#### VSWR



## Looking for pricing, stock, or lifecycle information?

Click below to explore more details on WIN SOURCE:

- ⊖ [View DEA160915LT-1169 on WIN SOURCE](#)
- ⊖ [TDK Corporation Information](#)

## Optimize Your Supply Chain with WIN SOURCE Solutions

- ✓ Global Sourcing Solution
- ✓ Obsolete Management
- ✓ Cost Control Management
- ✓ Shortage Management
- ✓ Alternative Solution
- ✓ Excess Inventory Management